

MORI SEIKI
THE MACHINE TOOL COMPANY

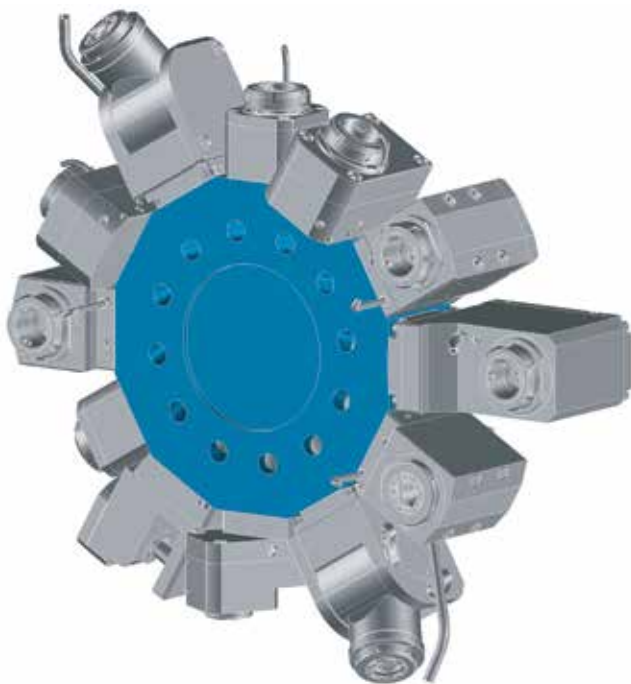
NL 1500 / 2000 / 2500 / 3000

Data

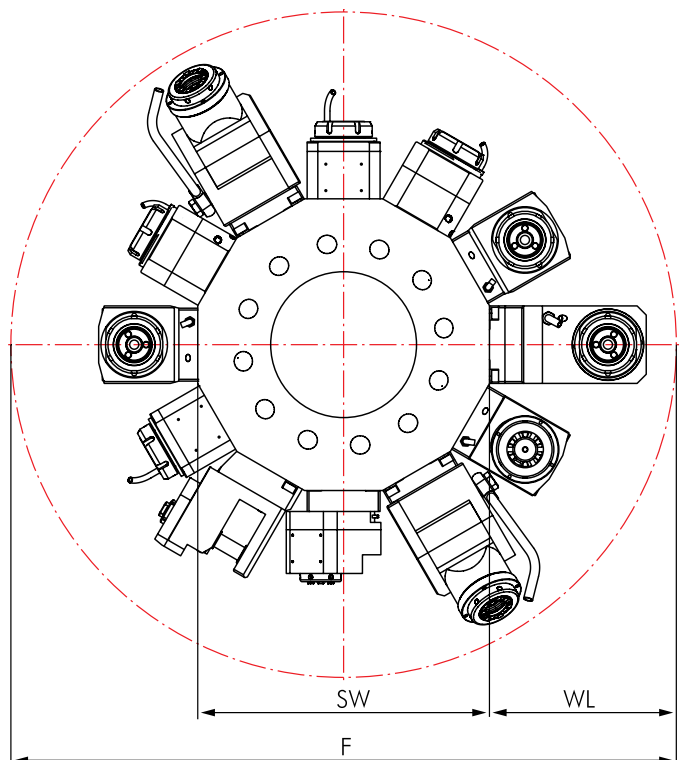
| Machine type Series | | Turret Stations |
|---------------------|------|-----------------|
| NL | 1500 | 12 |
| NL | 2000 | 12 |
| NL | 2500 | 12 |
| NL | 3000 | 12 |



Star-type Turret „BMT“

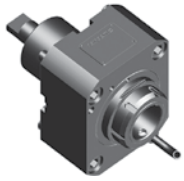
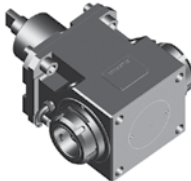
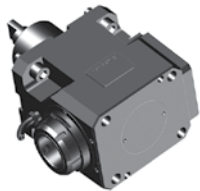


Interference Circles



| Machine type Series | F | SW | WL |
|--------------------------|-----|-----|-------|
| NL 1500/2000/2500 | 732 | 420 | 156 |
| NL 3000 | 781 | 470 | 155,5 |

Live Tools

| | Page | | Page | | |
|----------------------|---|-----|---------------------------|---|-----|
| Straight Unit |  | 446 | Angle Unit, 2-Axis |  | 448 |
| Angle Unit |  | 447 | | | |

Options and Accessories

| | | | |
|-----------------------|---|--|---|
| mi Toolholders |  | mi System Description Toolholders Accessories | 471 473-477 478-479 |
| Accessories |  | Collets DIN 6499 Threading Collets Wrenches Clamping Nuts Sleeves and Bushings | 526-527 528-529 525 525 531 |



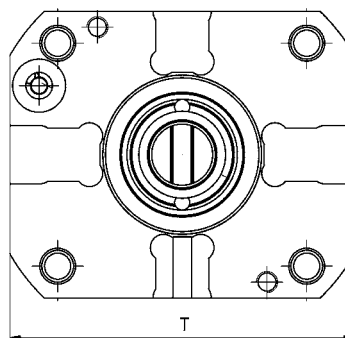
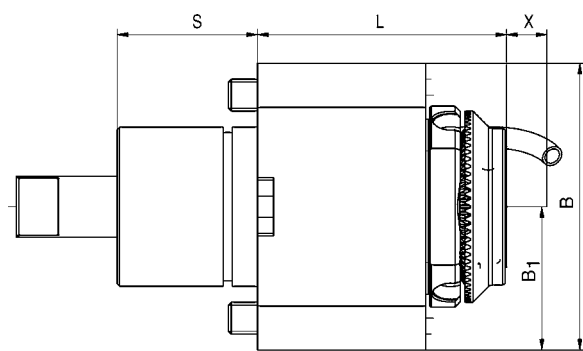
Delivery information

Driven toolholders with mi quick-change interface are supplied with operating wrench (see spare parts on page 479).
Driven toolholders with other interfaces are supplied without clamping wrench (see accessories on page 525).

Straight Unit

Connectable accessories with **BLUECOMPETENCE** » mimatic mi » PolyMILL » TriMILL » TrioCut » PolyREAM

| | |
|---|------------------|
| for Manufacturer | |
| MORI SEIKI THE MACHINE TOOL COMPANY | |
| for Machine type | |
| NL 1500 / 2000 / 2500 / 3000 | |
| Dimensions | |
| Turret type | Star-type Turret |
| Shank | BMT Ø 60 mm |
| Drive | Tang |
| SW | 7.9 mm |
| Modular Interfaces | |
| mimaticMi | |



| Order No. | Tool holder | Clamping range mm | Torque max. | n1/n2 (max.) (r.p.m.) | Gear Ratio | Coolant | L mm | B mm | B1 mm | S mm | T mm | Rotating direction |
|-----------|-------------|-------------------|-------------|-----------------------|------------|----------|------|------|-------|------|------|--------------------|
| 100471 | ER 40 | 2,5-30 | 70 Nm | 6.500 / 6.500 | i = 1:1 | external | 115 | 108 | 54 | 53 | 130 | ↺ ↻ |
| 124262 | ER 40* | 2,5-30 | 70 Nm | 6.500 / 6.500 | i = 1:1 | internal | 115 | 108 | 54 | 53 | 130 | ↻ ↺ |
| 124263 | mi 50 | - | 70 Nm | 6.500 / 6.500 | i = 1:1 | internal | 94 | 108 | 54 | 53 | 130 | ↻ ↺ |
| | | | | | | | | | | | | |
| | | | | | | | | | | | | |
| | | | | | | | | | | | | |

Angle Unit

Connectable in accordance with **BLUECOMPETENCE** » mimatic mi » PolyMILL » TriMILL » TrioCut » PolyREAM

for Manufacturer

MORI SEIKI
THE MACHINE TOOL COMPANY

for Machine type

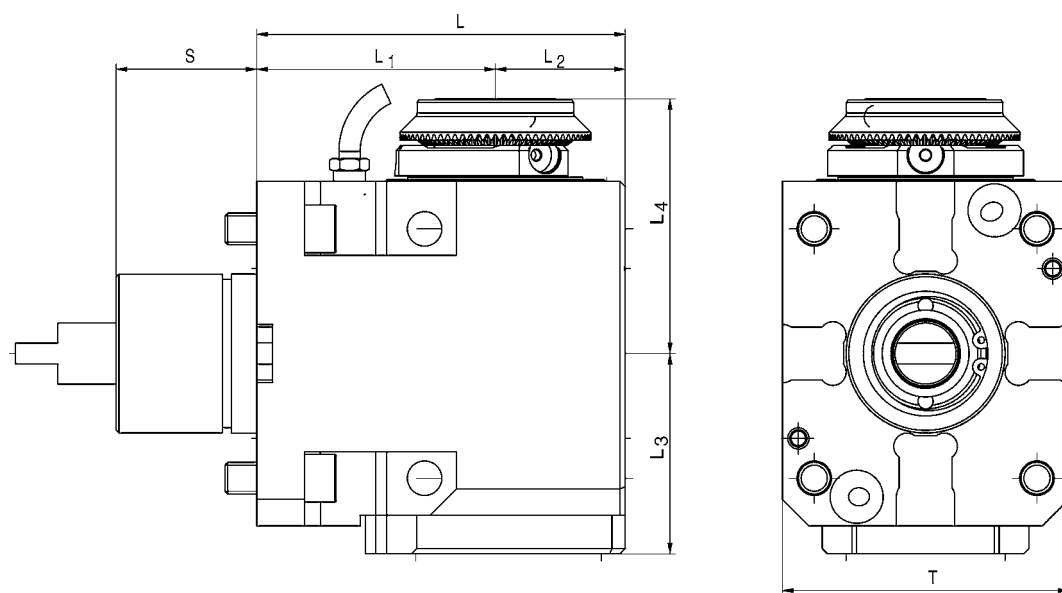
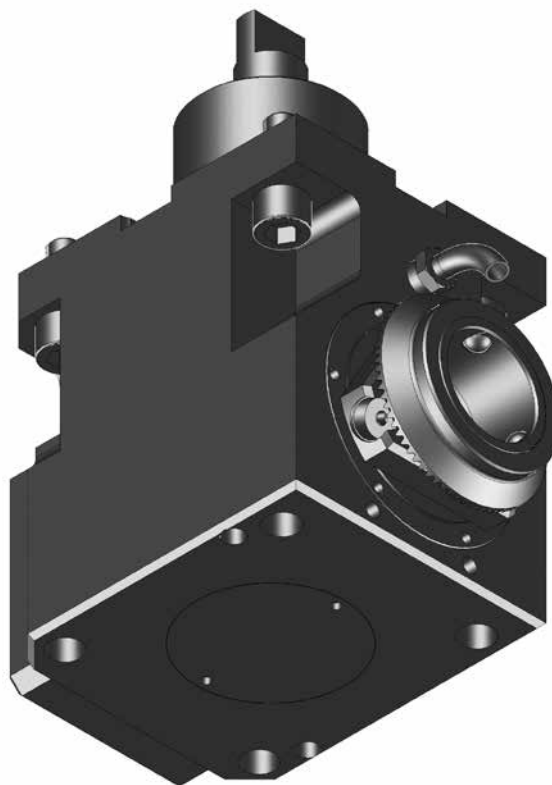
NL 1500 / 2000 / 2500 / 3000

Dimensions

| | |
|-------------|------------------|
| Turret type | Star-type Turret |
| Shank | BMT Ø 60 mm |
| Drive | Tang |
| SW | 7.9 mm |

Modular Interfaces

mimaticMi



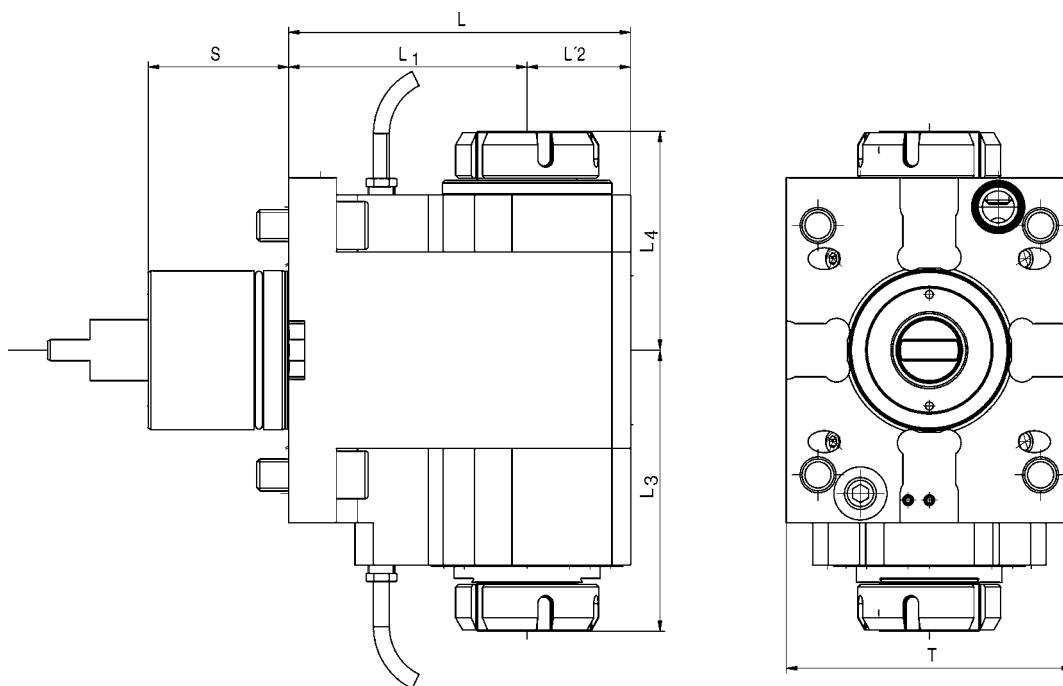
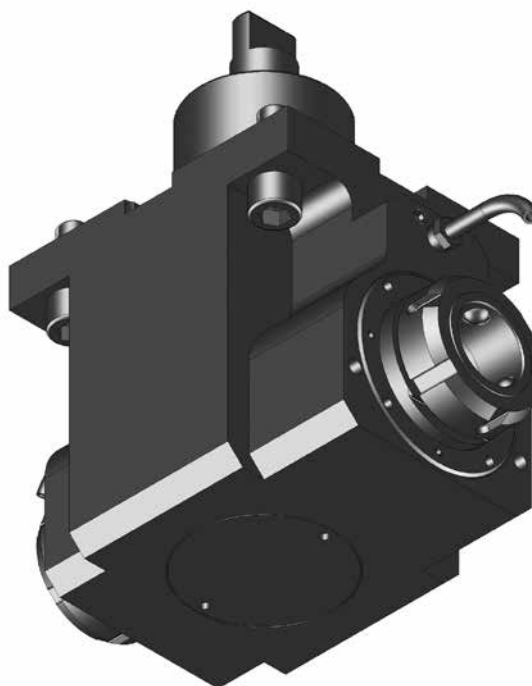
| Order No. | Tool holder | Clamping range mm | Torque max. | n1/n2 (max.) (r.p.m.) | Gear Ratio | Coolant | L mm | L1 mm | L2 mm | L3 mm | L4 mm | S mm | T mm | Rotating direction |
|-----------|-------------|-------------------|-------------|-----------------------|------------|----------|------|-------|-------|-------|-------|------|------|--------------------|
| 101219 | ER 40 | 2,5-30 | 70 Nm | 6.500 / 6.500 | i = 1:1 | external | 139 | 90 | 49 | 75,5 | 117 | 53 | 130 | ↺ ↻ |
| 124882 | ER 40* | 2,5-30 | 70 Nm | 6.500 / 6.500 | i = 1:1 | internal | 139 | 90 | 49 | 75,5 | 117 | 53 | 130 | ↻ ↺ |
| 124883 | mi 50 | - | 70 Nm | 6.500 / 6.500 | i = 1:1 | internal | 139 | 90 | 49 | 75,5 | 96 | 53 | 130 | ↻ ↺ |
| | | | | | | | | | | | | | | |
| | | | | | | | | | | | | | | |
| | | | | | | | | | | | | | | |

* With clamping nuts with sealing, seals see page 530

Angle Unit, 2-Axis

Connectable in accordance with **BLUECOMPETENCE** » mimatic mi » PolyMILL » TriMILL » TrioCut » PolyREAM

| | |
|---|------------------|
| for Manufacturer | |
| MORI SEIKI THE MACHINE TOOL COMPANY | |
| for Machine type | |
| NL 1500 / 2000 / 2500 / 3000 | |
| Dimensions | |
| Turret type | Star-type Turret |
| Shank | BMT Ø 60 mm |
| Drive | Tang |
| SW | 7.9 mm |
| Modular Interfaces | |
| mimaticMi | |



| Order No. | Tool holder | Clamping range mm | Torque max. | n1/n2 (max.) (r.p.m.) | Gear Ratio | Coolant | L mm | L1 mm | L2 mm | L3 mm | L4 mm | S mm | T mm |
|-----------|-------------|-------------------|-------------|-----------------------|------------|----------|------|-------|-------|-------|-------|------|------|
| 101218 | 2x ER 32 | 1,0-20 | 70 Nm | 6.500 / 6.500 | i = 1:1 | external | 139 | 90 | 49 | 70 | 70,0 | 53 | 108 |
| 169193 | 2x mi 40 | - | 70 Nm | 6.500 / 6.500 | i = 1:1 | internal | 129 | 90 | 39 | 105 | 82,5 | 53 | 108 |
| | | | | | | | | | | | | | |
| | | | | | | | | | | | | | |
| | | | | | | | | | | | | | |
| | | | | | | | | | | | | | |

BLUECOMPETENCE

Alliance Member

Partner of the Engineering Industry
Sustainability Initiative



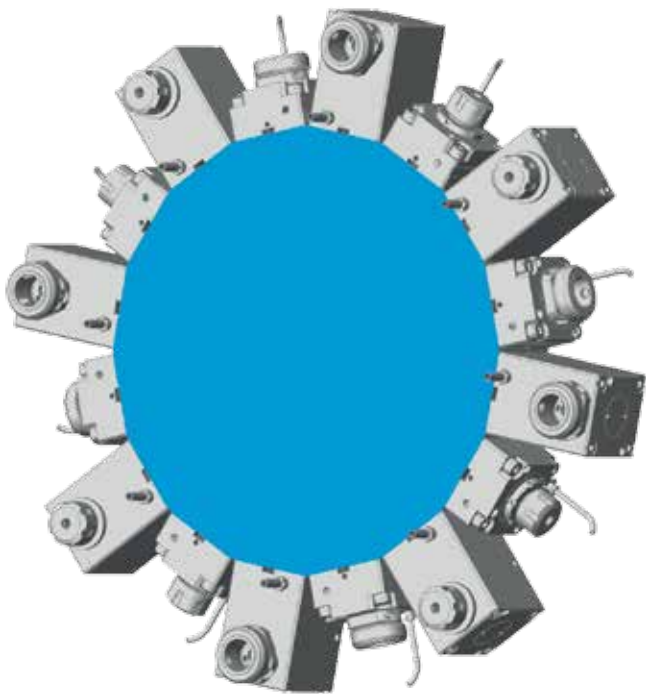
Picture shows a straight live tool VDI 40 with a mimatic capto C4 interface

Data

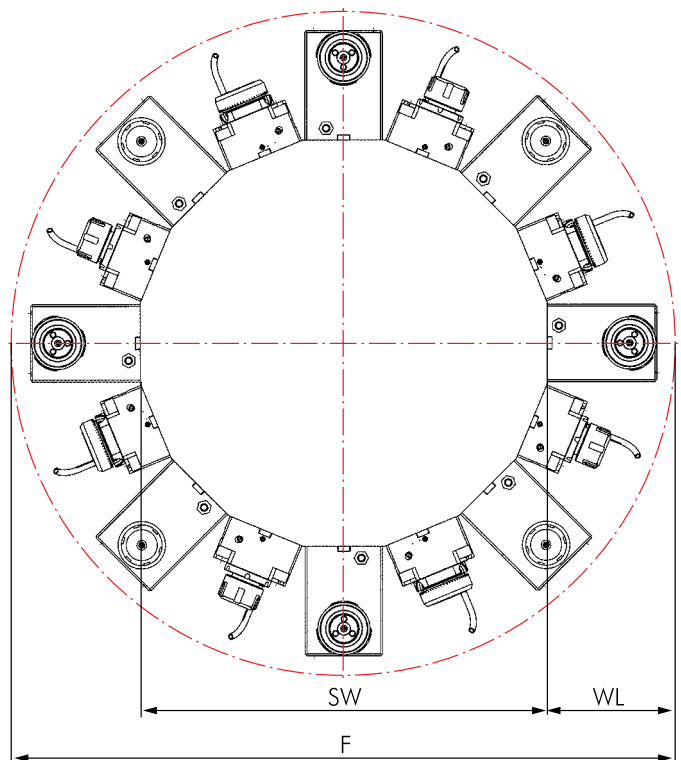
| Machine Type Series | | Turret Stations |
|---------------------|-------------|-----------------|
| NZ | 1500 | 2x16 |
| NZ | 2000 | 2x16 |



Star-Type Turret BMT



Interference Circles



| Machine Type Series | F | SW | WL |
|---------------------|-----|-----|-----|
| NZ 1500 | 670 | 420 | 125 |
| NZ 2000 | 670 | 420 | 125 |

Live Tools

| | Page | | Page |
|----------------------|------|-------------------------------------|------|
| Straight Unit | 452 | Angle Unit, 2-Axis | 454 |
| Angle Unit | 453 | Angle Unit, adjustable 0-90° | 455 |

Options and Accessories

| | | | |
|-----------------------|---|--|---|
| mi Toolholders |  | mi System Description Toolholders Accessories | 471 473-477 478-479 |
| Accessories |  | Collets DIN 6499 Threading Collets Wrenches Clamping Nuts Sleeves and Bushings | 526-527 528-529 525 525 531 |



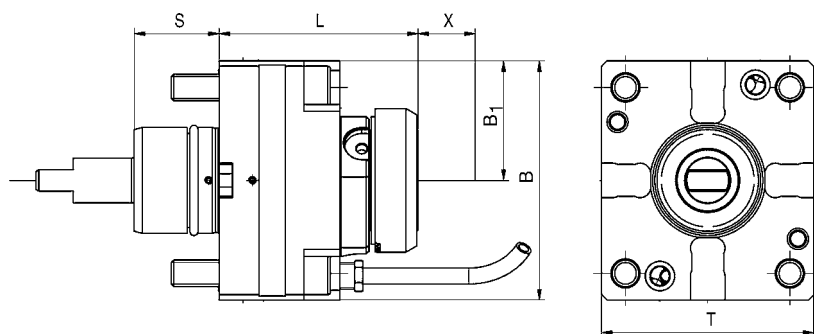
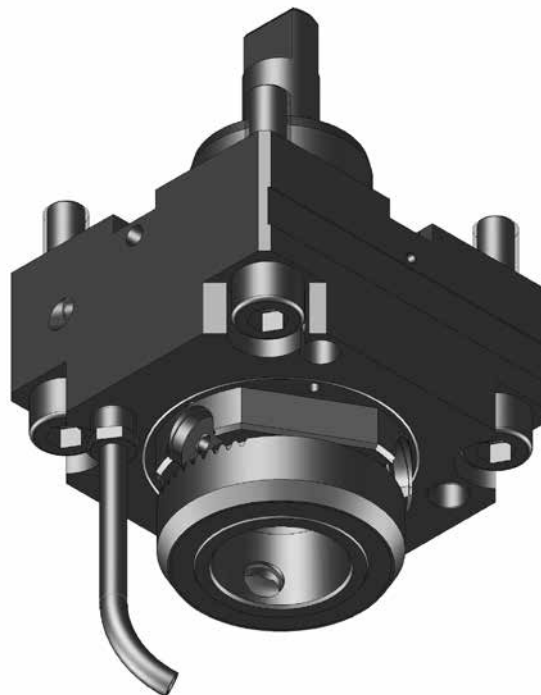
Delivery information

Driven toolholders with mi quick-change interface are supplied with operating wrench (see spare parts on page 479).
Driven toolholders with other interfaces are supplied without clamping wrench (see accessories on page 525).

Straight Unit

Connectable accessories with **BLUECOMPETENCE** » mimatic mi » PolyMILL » TriMILL » TrioCut » PolyREAM

| | |
|---|------------------|
| for Manufacturer | |
| MORI SEIKI THE MACHINE TOOL COMPANY | |
| for Machine Type | |
| NZ 1500 / 2000 | |
| Dimensions | |
| Turret Type | Star-Type Turret |
| Shank | BMT Ø 40 mm |
| Drive | Tang |
| SW | 7.9 mm |
| Modular Interfaces | |
| mimaticMi | |

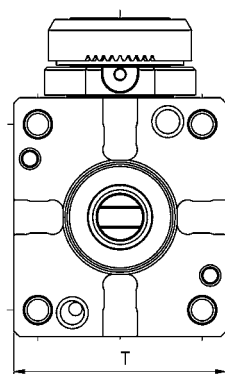
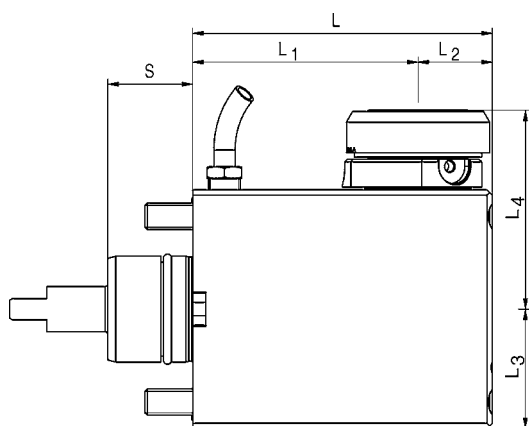
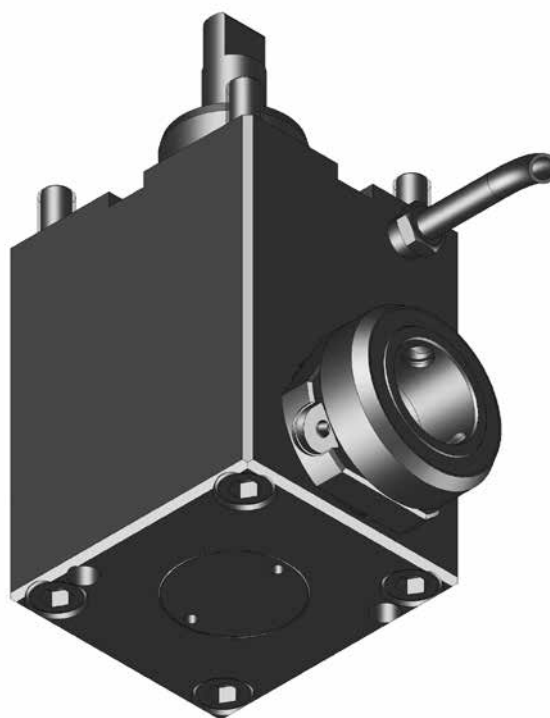


| Order No. | Tool Holder | Clamping Range mm | Torque max. | n1/n2 (max.) (r.p.m.) | Gear Ratio | Coolant | X mm | L mm | B mm | B1 mm | S mm | T mm | Rotating direction |
|-----------|-------------|-------------------|-------------|-----------------------|------------|----------|------|------|------|-------|------|------|--------------------|
| 173741 | ER 25 | 0,5-16 | 50 Nm | 6.500 / 6.500 | i = 1:1 | external | 43,4 | 81,6 | 80 | 40 | 32 | 90 | ↺ ↻ |
| 173792 | ER 25* | 0,5-16 | 50 Nm | 6.500 / 6.500 | i = 1:1 | internal | 43,4 | 81,6 | 80 | 40 | 32 | 90 | ↻ ↺ |
| 174332 | mi 40 | - | 50 Nm | 6.500 / 6.500 | i = 1:1 | internal | 50,0 | 75,0 | 80 | 40 | 32 | 90 | ↻ ↺ |
| | | | | | | | | | | | | | |
| | | | | | | | | | | | | | |
| | | | | | | | | | | | | | |

Angle Unit

Connectable in accordance with **BLUECOMPETENCE** » mimatic mi » PolyMILL » TriMILL » TrioCut » PolyREAM

| | |
|---|------------------|
| for Manufacturer | |
| MORI SEIKI THE MACHINE TOOL COMPANY | |
| for Machine Type | |
| NZ 1500 / 2000 | |
| Dimensions | |
| Turret Type | Star-Type Turret |
| Shank | BMT Ø 40 mm |
| Drive | Tang |
| SW | 7.9 mm |
| Modular Interfaces | |
| mimaticMi | |



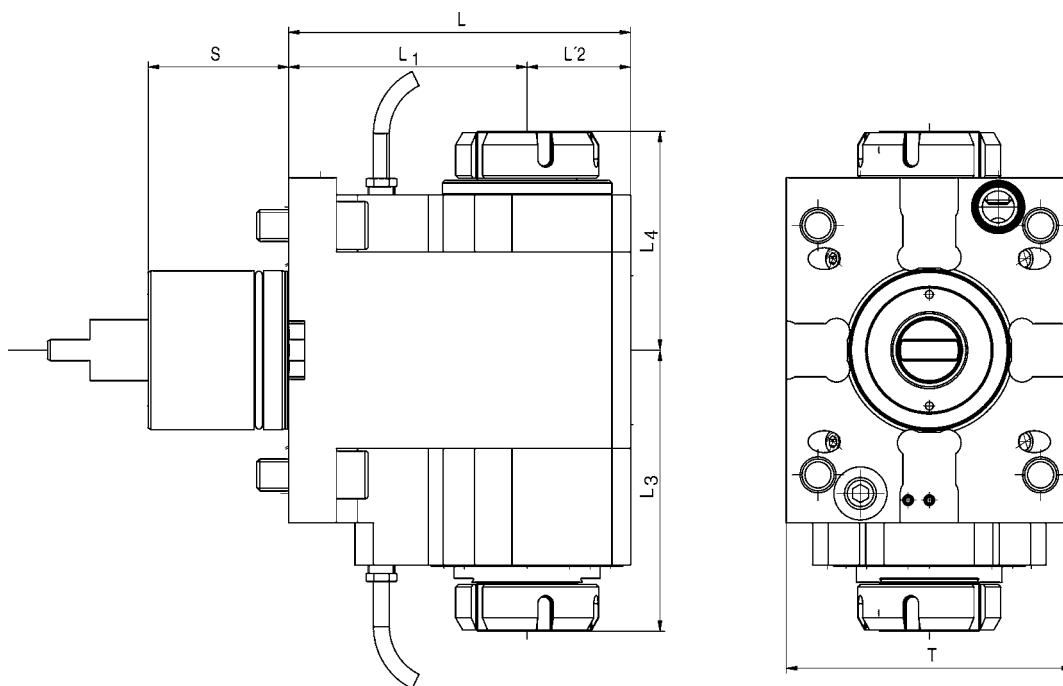
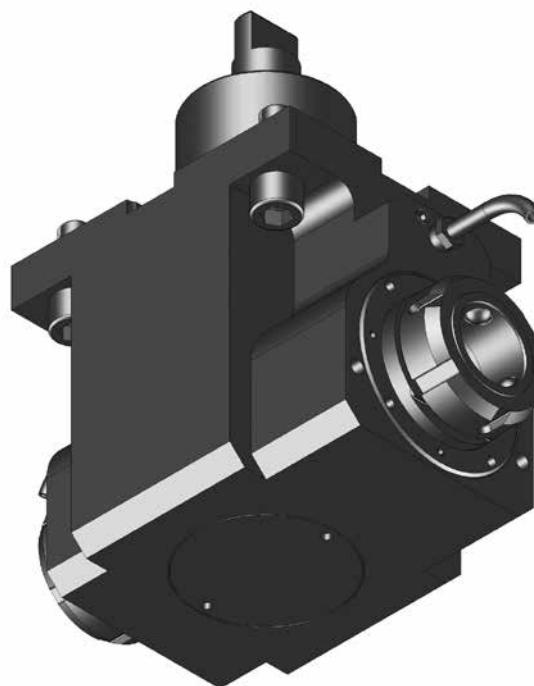
| Order No. | Tool Holder | Clamping Range mm | Torque max. | n1/n2 (max.) (r.p.m.) | Gear Ratio | Coolant | L mm | L1 mm | L2 mm | L3 mm | L4 mm | S mm | T mm | Rotating direction |
|-----------|-------------|-------------------|-------------|-----------------------|------------|----------|------|-------|-------|-------|-------|------|------|--------------------|
| 176318 | ER 16 | 0,5-10 | 20 Nm | 6.500 / 13.000 | i = 1:2 | external | 120 | 85 | 35 | 66 | 72,5 | 32 | 80 | ↺ ↻ |
| 173743 | ER 25 | 0,5-16 | 25 Nm | 6.500 / 6.500 | i = 1:1 | external | 113 | 85 | 28 | 45 | 79,0 | 32 | 80 | ↺ ↻ |
| 174079 | ER 25* | 0,5-16 | 25 Nm | 6.500 / 6.500 | i = 1:1 | internal | 113 | 85 | 28 | 45 | 79,0 | 32 | 80 | ↺ ↻ |
| 174334 | mi 40 | - | 25 Nm | 6.500 / 6.500 | i = 1:1 | internal | 113 | 85 | 28 | 45 | 75,0 | 32 | 80 | ↺ ↻ |
| | | | | | | | | | | | | | | |
| | | | | | | | | | | | | | | |
| | | | | | | | | | | | | | | |

* With clamping nuts with sealing, seals see page 530

Angle Unit, 2-Axis

Compatible accessories with **BLUECOMPETENCE** » PolyMILL » TriMILL » TrioCut » PolyREAM

| | |
|---|------------------|
| for Manufacturer | |
| MORI SEIKI THE MACHINE TOOL COMPANY | |
| for Machine Type | |
| NZ 1500 / 2000 | |
| Dimensions | |
| Turret Type | Star-Type Turret |
| Shank | BMT Ø 40 mm |
| Drive | Tang |
| SW | 7.9 mm |

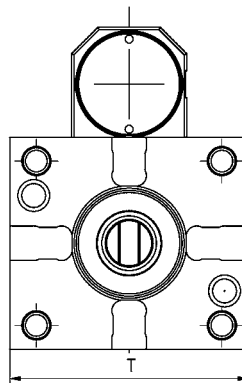
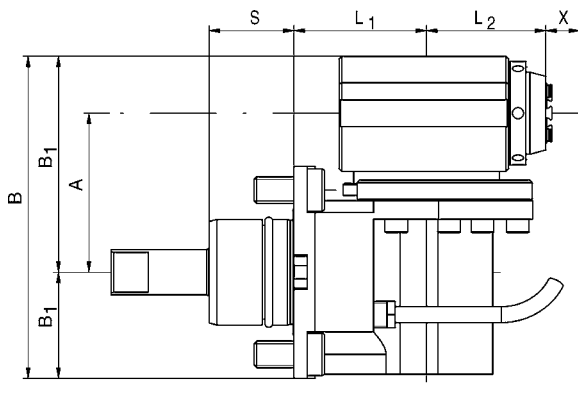
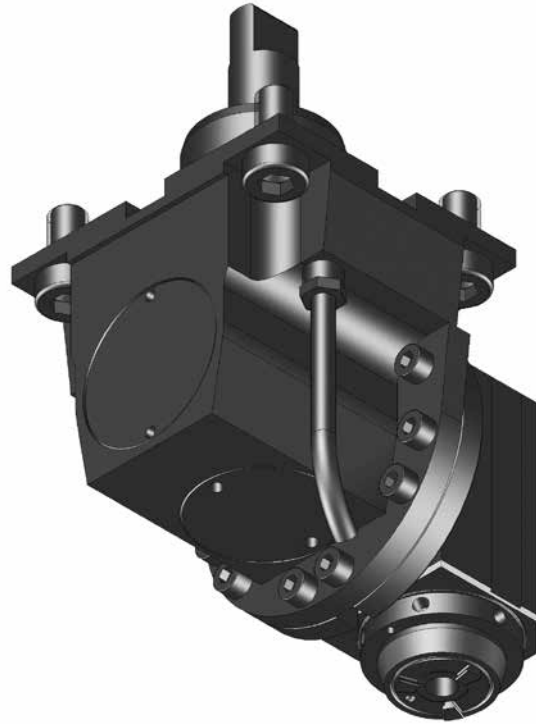


| Order No. | Tool Holder | Clamping Range mm | Torque max. | n1/n2 (max.) (r.p.m.) | Gear Ratio | Coolant | L mm | L1 mm | L2 mm | L3 mm | L4 mm | S mm | T mm |
|-----------|-------------|-------------------|-------------|-----------------------|------------|----------|------|-------|-------|-------|-------|------|------|
| 176317 | ER 25 | 0,5-16 | 25 Nm | 6.500 / 6.500 | i = 1:1 | external | 120 | 85 | 35 | 58 | 58 | 32 | 80 |
| | | | | | | | | | | | | | |
| | | | | | | | | | | | | | |
| | | | | | | | | | | | | | |
| | | | | | | | | | | | | | |

Angle Unit, Adjustable 0-90°

Compatible in accordance with **BLUECOMPETENCE** » PolyMILL » TriMILL » PolyREAM

| | |
|---|------------------|
| for Manufacturer | |
| MORI SEIKI THE MACHINE TOOL COMPANY | |
| for Machine Type | |
| NZ 1500 / 2000 | |
| Dimensions | |
| Turret Type | Star-Type Turret |
| Shank | BMT Ø 40 mm |
| Drive | Tang |
| SW | 7.9 mm |



13

| Order No. | Tool Holder | Clamping Range mm | Torque max. | n1/n2 (max.) (r.p.m.) | Gear Ratio | Coolant | L mm | L1 mm | L2 mm | B mm | S mm | T mm | Rotating direction |
|-----------|-------------|-------------------|-------------|-----------------------|------------|----------|------|-------|-------|------|------|------|--------------------|
| 176310 | ER 16 | 0,5-10 | 15 Nm | 8.000 / 8.000 | i = 1:1 | external | 95 | 60 | 21,5 | 80 | 32 | 90 | ↻ ↺ |
| | | | | | | | | | | | | | |
| | | | | | | | | | | | | | |
| | | | | | | | | | | | | | |
| | | | | | | | | | | | | | |