

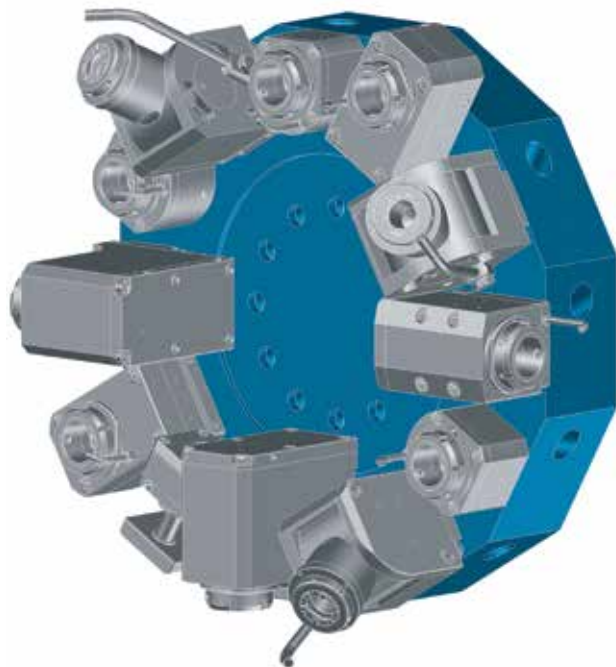
LOKUMA LB 200 - M + ECO - M

Data

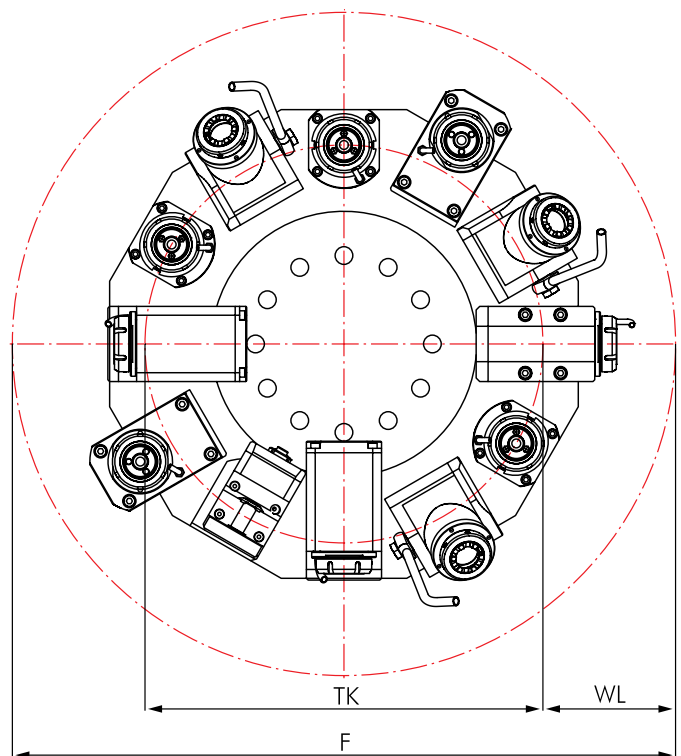
Machine type Series		Turret Stations
LB 200	M	12
ECO ES-L8II	M	12
ECO ES-L6II	M	12
Genos L200	M	12



Disc-type Turret VDI 30



Interference Circles



Machine type Series	F	TK	WL
LB 200+ECO	590	310	115
ECO ES-L6II	1)	1)	1)
Genos L200	1)	1)	1)

1) The interference circles are depending on your CNC machine. You can find it in your machine instruction manuals.

Live Tools

	Page		Page
Straight Unit	334	Angle Unit	336
Straight Unit, Offset Type	335	Angle Unit, Offset Type	337
		Angle Unit, adjustable 0-100°	338

Options and Accessories

mi Toolholders		mi System Description Toolholders Accessories	471 473-477 478-479
Standard VDI Toolholders		VDI Toolholders Accessories	518-524 525-531
Accessories		Collets DIN 6499 Threading Collets Wrenches Clamping Nuts Sleeves and Bushings	526-527 528-529 525 525 531



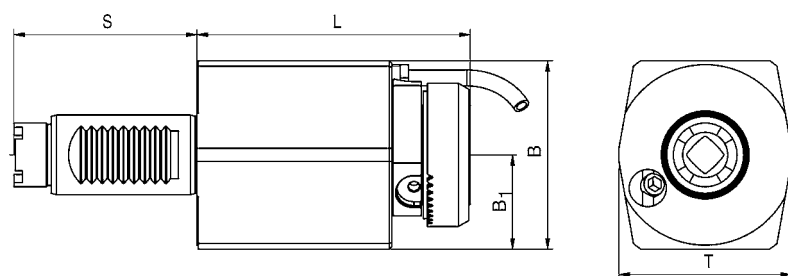
Delivery information

Driven toolholders with mi quick-change interface are supplied with operating wrench (see spare parts on page 479).
Driven toolholders with other interfaces are supplied without clamping wrench (see accessories on page 525).

Straight Unit

Connectable in accordance with **BLUECOMPETENCE** » mimatic mi » PolyMILL » TriMILL » TrioCut » PolyREAM

for Manufacturer	
LOKUMA	
for Machine type	
LB 200-M, ECO ES-L6 / L8II-M, Genos L200-M	
Dimensions	
Revolver type	Disc-type Turret
Shank	VDI 30
Drive	single level
Graduation	30 / 60°
Modular Interfaces	
mimaticMi	

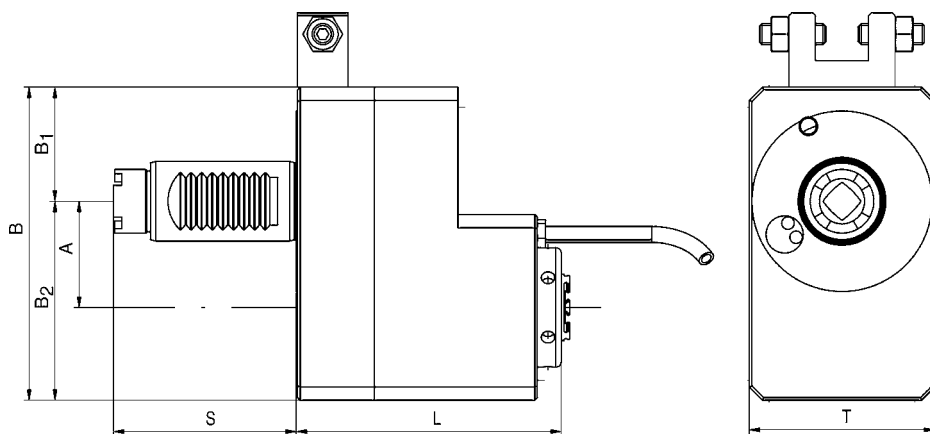
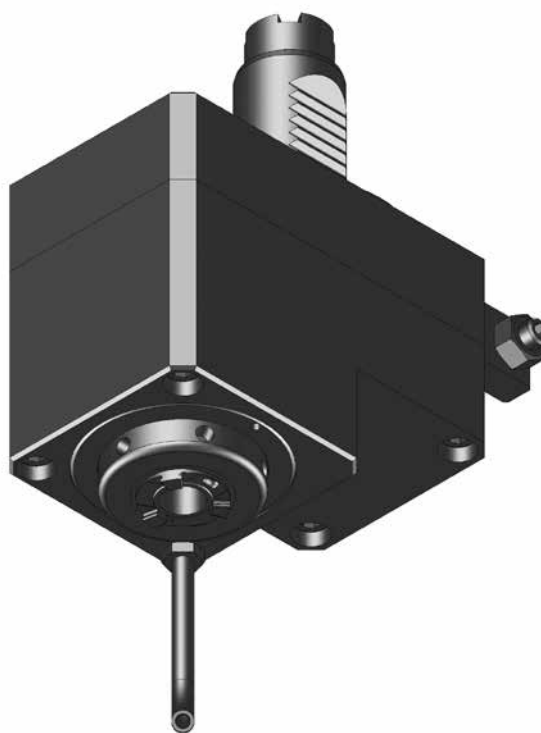


Order No.	Tool holder	Clamping range mm	Torque max.	n1/n2 (max.) (r.p.m.)	Gear Ratio	Coolant	L mm	B mm	B1 mm	S mm	T mm	Rotating direction
133715	ER 25	0,5-16	40 Nm	6.500 / 6.500	i = 1:1	external	81	70	35,0	69	70	↺ ↻
133710	ER 25*	0,5-16	40 Nm	6.500 / 6.500	i = 1:1	internal	81	70	35,0	69	70	↺ ↻
133734	mi 40	-	40 Nm	6.500 / 6.500	i = 1:1	internal	92	71	35,5	69	65	↺ ↻

Straight Unit, Offset Type

Connectable in accordance with **BLUECOMPETENCE** » PolyMILL » TriMILL » TrioCut » PolyREAM

for Manufacturer	
LOKUMA	
for Machine type	
LB 200-M, ECO ES-L6/L8II-M, Genos L200-M	
Dimensions	
Revolver type	Disc-type Turret
Shank	VDI 30
Drive	single level
Graduation	30 / 60°



13

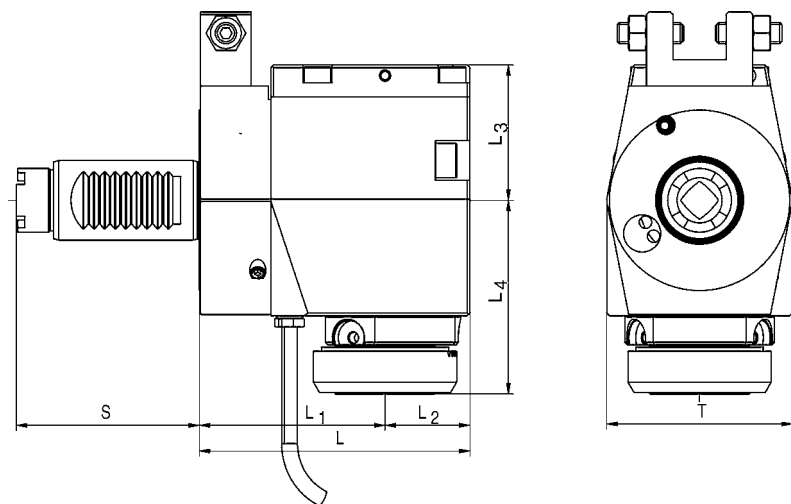
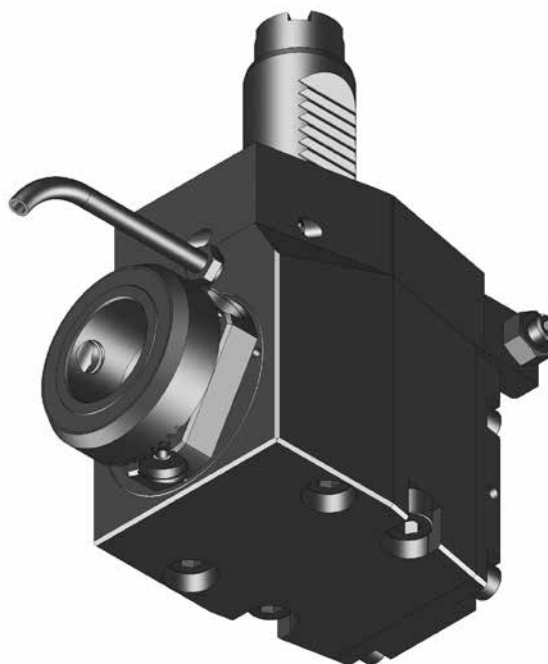
Order No.	Tool holder	Clamping range mm	Torque max.	n1/n2 (max.) (r.p.m.)	Gear Ratio	Coolant	L mm	A mm	B mm	B1 mm	B2 mm	S mm	T mm	Rotating direction
176305	ER 25	0,5-16	10 Nm	6.500 / 13.000	i = 1:2	external	100	40	118	75	43	69	70	↺ ↻
176304	ER 25*	0,5-16	10 Nm	6.500 / 13.000	i = 1:2	internal	100	40	118	75	43	69	70	↻ ↺

* With clamping nuts with sealing, seals see page 530

Angle Unit

Connectable accessories with **BLUECOMPETENCE** » mimatic mi » PolyMILL » TriMILL » TrioCut » PolyREAM

for Manufacturer	
for Machine type	
LB 200-M, ECO ES-L6 / L8II-M, Genos L200-M	
Dimensions	
Revolver type	Disc-type Turret
Shank	VDI 30
Drive	single level
Graduation	30 / 60°
Modular Interfaces	

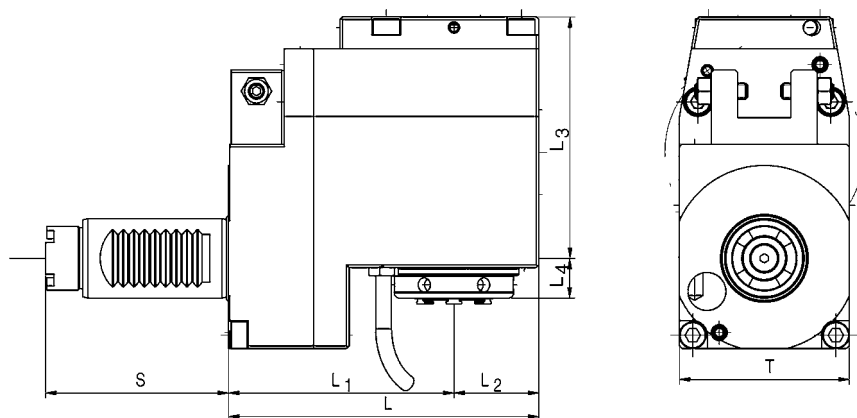
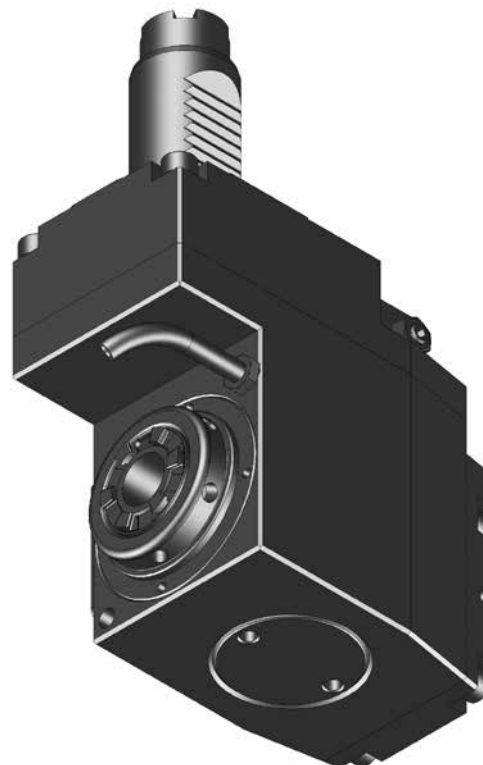


Order No.	Tool holder	Clamping range mm	Torque max.	n1/n2 (max.) (r.p.m.)	Gear Ratio	Coolant	L mm	L1 mm	L2 mm	L3 mm	L4 mm	S mm	T mm	Rotating direction
103496	ER 25	0,5-16	30 Nm	6.500 / 6.500	i = 1:1	external	104	70	34	60,5	58	69	76	
103520	ER 25*	0,5-16	30 Nm	6.500 / 6.500	i = 1:1	internal	104	70	34	60,5	58	69	76	
103537	mi 40	-	30 Nm	6.500 / 6.500	i = 1:1	internal	102	70	32	51,0	73	69	70	
176325	ER 20	0,5-13	20 Nm	6.500 / 12.000	i = 1:2	external	105	70	35	62,0	62	69	70	
176324	ER 20*	0,5-13	20 Nm	6.500 / 12.000	i = 1:2	internal	105	70	35	62,0	62	69	70	

Angle Unit, Offset Type

Compatible accessories with **BLUECOMPETENCE** » PolyMILL » TriMILL » TrioCut » PolyREAM

for Manufacturer	
LOKUMA	
for Machine type	
LB 200-M, ECO ES-L6 / L8II-M, Genos L200-M	
Dimensions	
Revolver type	Disc-type Turret
Shank	VDI 30
Drive	single level
Graduation	30 / 60°



13

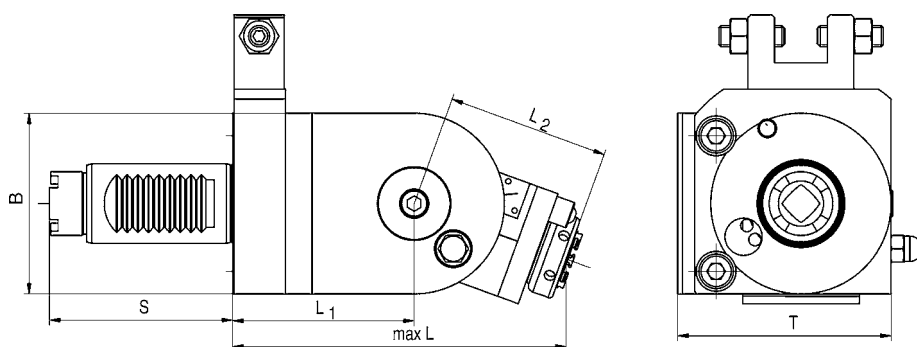
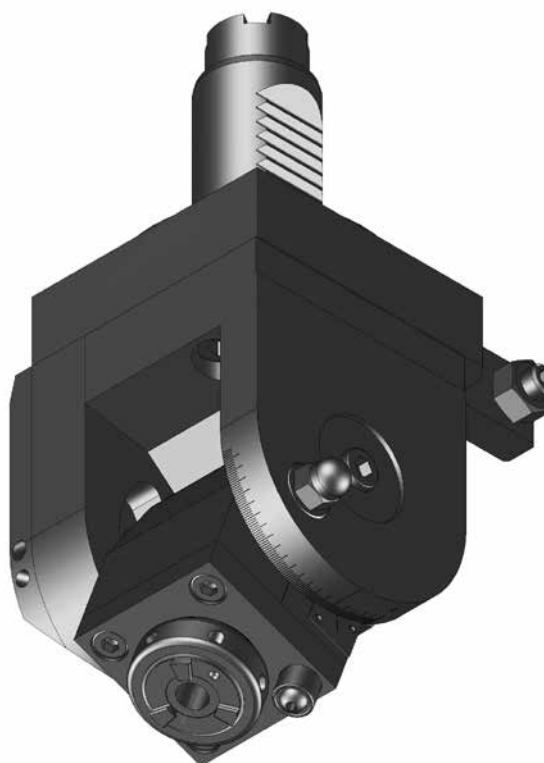
Order No.	Tool holder	Clamping range mm	Torque max.	n1/n2 (max.) (r.p.m.)	Gear Ratio	Coolant	L mm	L1 mm	L2 mm	L3 mm	L4 mm	S mm	T mm	Rotating direction
176270	ER 25	0,5-16	30 Nm	6.500 / 6.500	i = 1:1	external	117	85	32	91	15	69	64	↺ ↻
176271	ER 25*	0,5-16	30 Nm	6.500 / 6.500	i = 1:1	internal	117	85	32	91	15	69	64	↻ ↺

* With clamping nuts with sealing, seals see page 530

Angle Unit, Adjustable 0-100°

Compatible in accordance with **BLUECOMPETENCE** » PolyMILL » TriMILL » PolyREAM

for Manufacturer	
LOKUMA	
for Machine type	
LB 200-M, ECO ES-L6/L8II-M, Genos L200-M	
Dimensions	
Revolver type	Disc-type Turret
Shank	VDI 30
Drive	single level
Graduation	30 / 60°



Order No.	Tool holder	Clamping range mm	Torque max.	n1/n2 (max.) (r.p.m.)	Gear Ratio	Coolant	L mm	L1 mm	L2 mm	B mm	S mm	T mm	Rotating direction
176291	ER 16	0,5-10	6 Nm	6.500 / 6.500	i = 1:1	external	131	68,5	62	77	69	81	↺ ↻
176293	ER 16*	0,5-10	6 Nm	6.500 / 6.500	i = 1:1	internal	131	68,5	62	77	69	81	↻ ↺

AGMILL

The mimatic Concept of Sustainability for the Milling Operation

BLUECOMPETENCE

Alliance Member

Partner of the Engineering Industry Sustainability Initiative

AGMILL =

Live Tools + Polygon Interface + PolyMILL Insert

AGMILL



PolyMILL



Advantages

Fewer Interfaces

- lower tolerances
- better true running
- longer operating life
- shorter form of structure

Rapid Changing of the CT-CI

- loosen a screw
- planar arrangement
- no pre-adjustment necessary
- self-centring

The mimatic Modular Set

- ✓ 4,000 Live Tools
- ✓ 2,000 Angle Heads
- ✓ 2,500 PolyMILL Inserts

Modular Sets Available to mimatic Customers

4,000 completed live tools for turning machines, 250 of which are from the mimatic main catalogue

2,000 completed angle heads for machining centers, 108 of which are from the mimatic main catalogue

4 different sizes of polygonal PolyMILL interface

Approx. 2,500 completed PolyMILL CI inserts for cutting threads and grooves, fronts or contours. 200 of these are from the mimatic main catalogue from stock.

LOKUMA

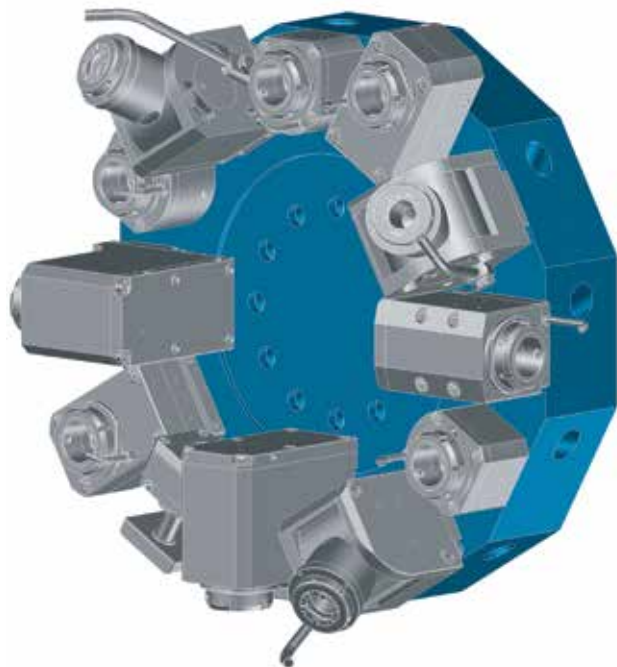
LB 300 - M/MY / LU 300 - M/MY

Data

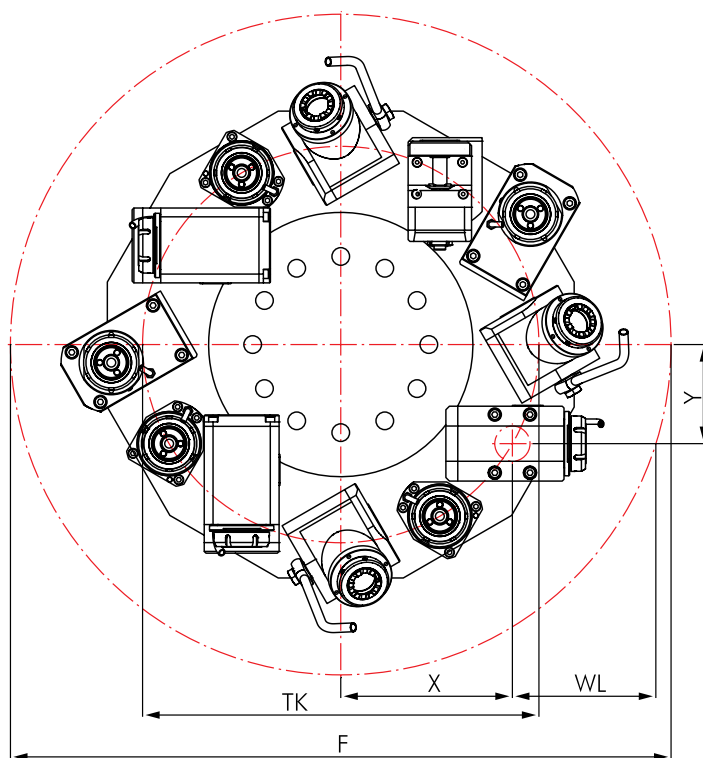
Machine type Series	Turret Stations
LB 300 M / MY	12
LU 300 M / MY	12
ES-L 10 M	
Captain L 370	
Genos L 300 M	



Disc-type Turret VDI 40



Interference Circles



Machine type Series	F	TK	X	Y	WL
LB/LU 300 M	690	386	185	55	155
LB/LU 300 MY	700	448	175	140	145
ES-L 10 M	1)	1)	1)	1)	1)
Captain L 370	1)	1)	1)	1)	1)
Genos L 300 M	1)	1)	1)	1)	1)

1) The interference circles are depending on your CNC machine. You can find it in your machine instruction manuals.

Live Tools

	Page		Page
Straight Unit	342	Angle Unit	344
Straight Unit, Offset Type	343	Angle Unit, adjustable 0-100°	345

Options and Accessories

mi Toolholders		mi System Description Toolholders Accessories	471 473-477 478-479
Standard VDI Toolholders		VDI Toolholders Accessories	518-524 525-531
Accessories		Collets DIN 6499 Threading Collets Wrenches Clamping Nuts Sleeves and Bushings	526-527 528-529 525 525 531



Delivery information

Driven toolholders with mi quick-change interface are supplied with operating wrench (see spare parts on page 479).
Driven toolholders with other interfaces are supplied without clamping wrench (see accessories on page 525).

Straight Unit

Connectable in accordance with **BLUECOMPETENCE** » mimatic mi » PolyMILL » TriMILL » TrioCut » PolyREAM

for Manufacturer

LOKUMA

for Machine type

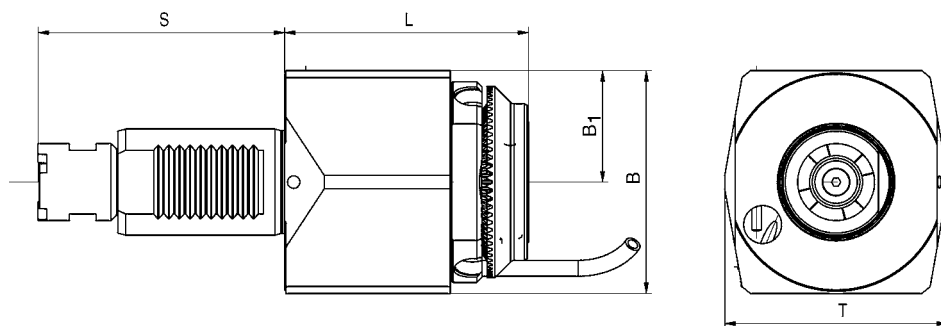
**LB/LU 300 - M/MY, ES-L 10 M
Captain L 370, Genos L 300 M**

Dimensions

Revolver type	Disc-type Turret
Shank	VDI 40
Drive	single level
Graduation	30 / 60°

Modular Interfaces

mimaticMi

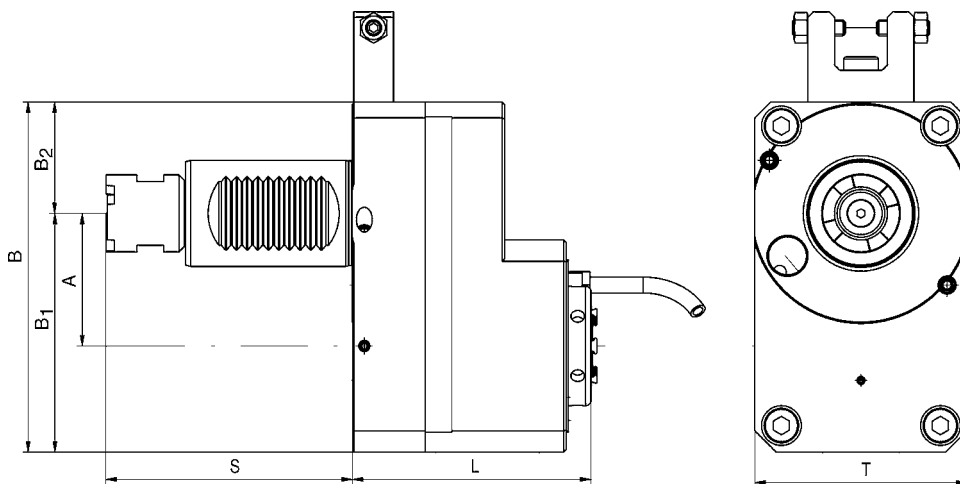
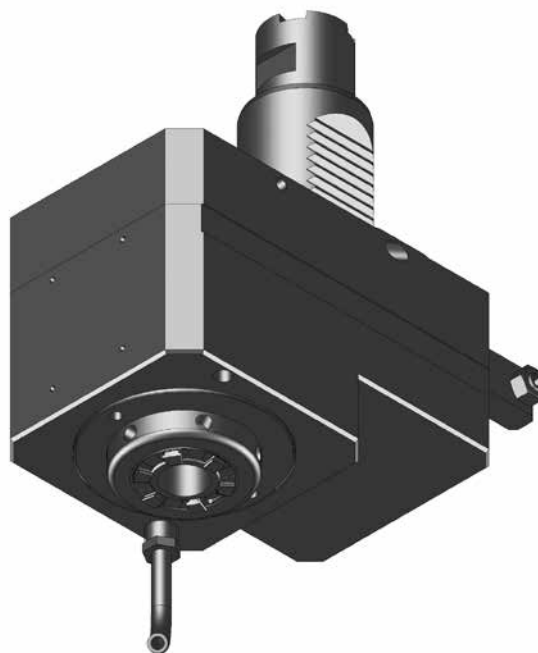


Order No.	Tool holder	Clamping range mm	Torque max.	n1/n2 (max.) (r.p.m.)	Gear Ratio	Coolant	L mm	B mm	B1 mm	S mm	T mm	Rotating direction
103441	ER 32	1,0-20	80 Nm	6.500 / 6.500	i = 1:1	external	75,5	87	38	93	75	↺ ↻
133711	ER 32*	1,0-20	80 Nm	6.500 / 6.500	i = 1:1	internal	75,5	87	38	93	75	↺ ↻
133712	mi 50	-	80 Nm	6.500 / 6.500	i = 1:1	internal	92,0	84	42	93	84	↺ ↻

Straight Unit, Offset Type

Compatible accessories with **BLUECOMPETENCE** » PolyMILL » TriMILL » TrioCut » PolyREAM

for Manufacturer	
LOKUMA	
for Machine type	
LB/LU 300 - M/MY, ES-L 10 M Captain L 370, Genos L 300 M	
Dimensions	
Revolver type	Disc-type Turret
Shank	VDI 40
Drive	single level
Graduation	30 / 60°



13

Order No.	Tool holder	Clamping range mm	Torque max.	n1/n2 (max.) (r.p.m.)	Gear Ratio	Coolant	L mm	A mm	B mm	B1 mm	B2 mm	S mm	T mm	Rotating direction
176332	ER 25	0,5-16	20 Nm	6.500 / 13.000	i = 1:2	external	90	50	132	90	42	93	80	↺ ↻
176331	ER 25	0,5-16	20 Nm	6.500 / 13.000	i = 1:2	internal	90	50	132	90	42	93	80	↻ ↺

Angle Unit

Connectable accessories with **BLUECOMPETENCE** » mimatic mi » PolyMILL » TriMILL » TrioCut » PolyREAM

for Manufacturer

LOKUMA

for Machine type

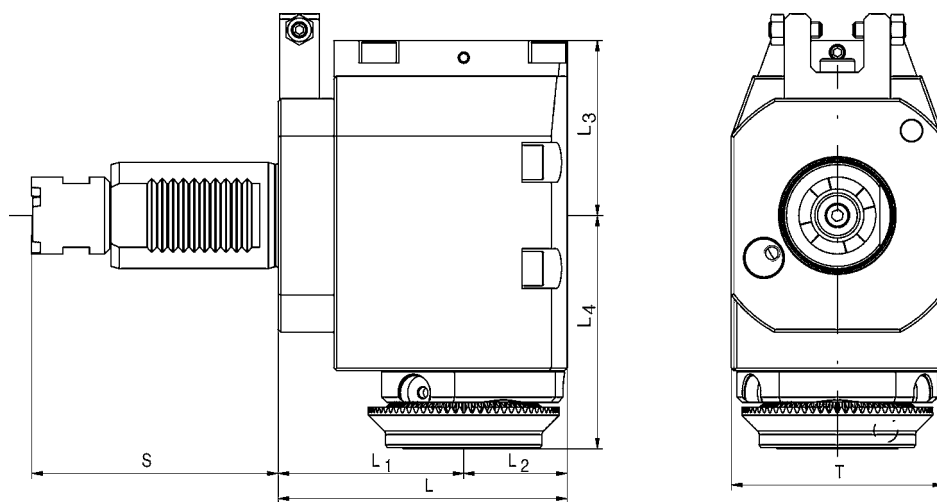
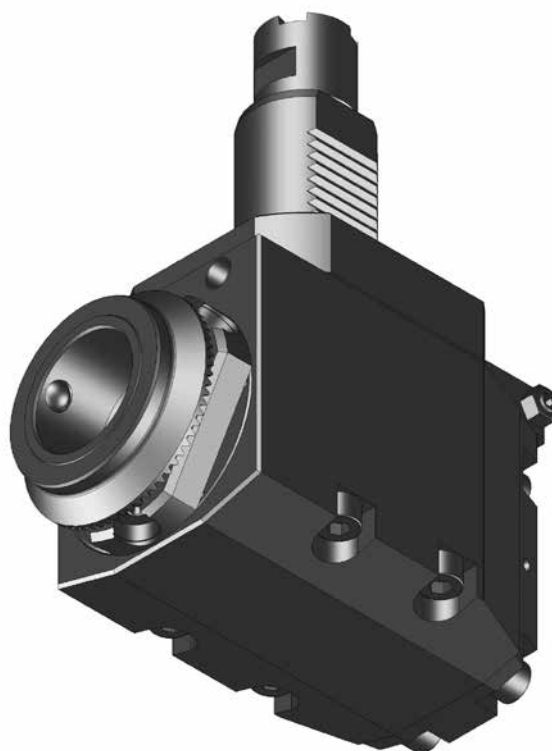
**LB/LU 300 - M/MY, ES-L 10 M
Captain L 370, Genos L 300 M**

Dimensions

Revolver type	Disc-type Turret
Shank	VDI 40
Drive	single level
Graduation	30 / 60°

Modular Interfaces

mimaticMi



Order No.	Tool holder	Clamping range mm	Torque max.	n1/n2 (max.) (r.p.m.)	Gear Ratio	Coolant	L mm	L1 mm	L2 mm	L3 mm	L4 mm	S mm	T mm	Rotating direction
103497	ER 32	1,0-20	50 Nm	6.500 / 6.500	i = 1:1	external	109	70	39	66	70	93	80	↺ ↻
133716	ER 32*	1,0-20	50 Nm	6.500 / 6.500	i = 1:1	internal	109	70	39	66	70	93	80	↻ ↺
133705	mi 50	-	50 Nm	6.500 / 6.500	i = 1:1	internal	109	70	39	66	88	93	80	↻ ↺

Angle Unit, Adjustable 0-100°

Connectable in accordance with
BLUECOMPETENCE » PolyMILL » TriMILL » PolyREAM

for Turret Manufacturer

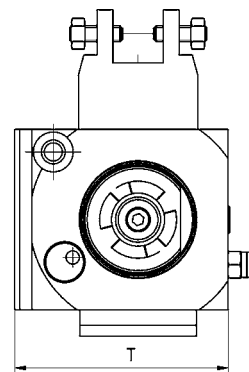
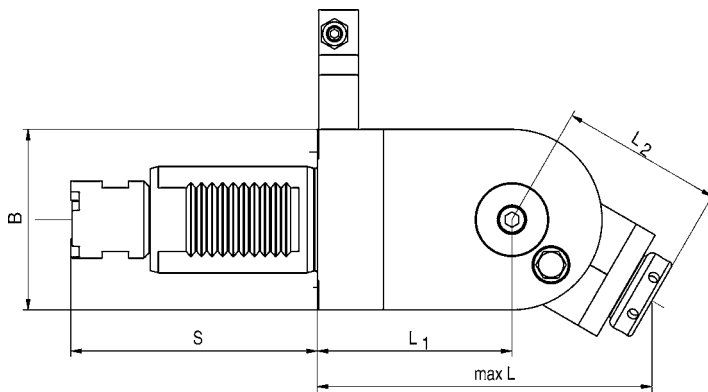
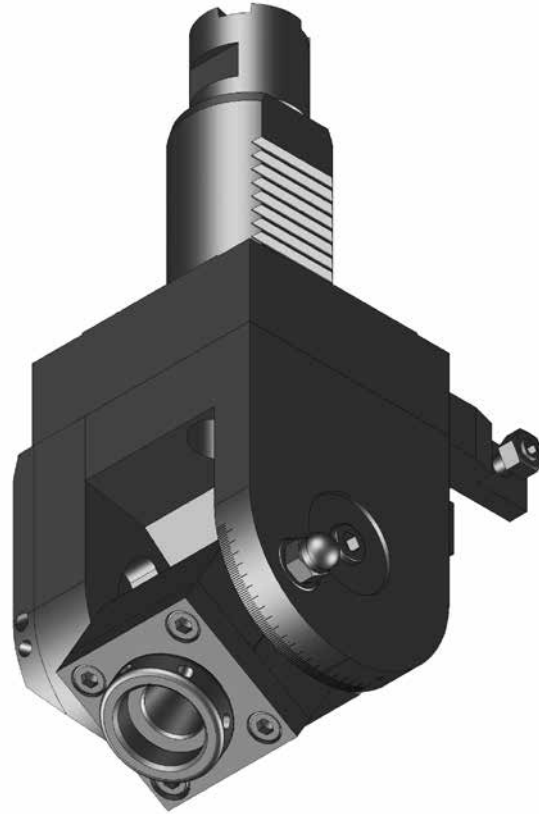
LOKUMA

with Drive

**LB/LU 300 - M/MY, ES-L 10 M
Captain L 370, Genos L 300 M**

Dimensions

Revolver type	Disc-type Turret
Shank	VDI 40
Drive	30 / 60°



13

Order No.	Tool holder	Clamping range mm	Torque max.	n1/n2 (max.) (r.p.m.)	Gear Ratio	Coolant	L mm	L1 mm	L2 mm	B mm	S mm	T mm	Rotating direction
101727	ER 16	0,5-10	6 Nm	6.500 / 6.500	i = 1:1	external	134,5	73,5	61	68	93	90	↻ ↻

LOKUMA

LB 300 - MW/MYW + LT 300 - M/MY

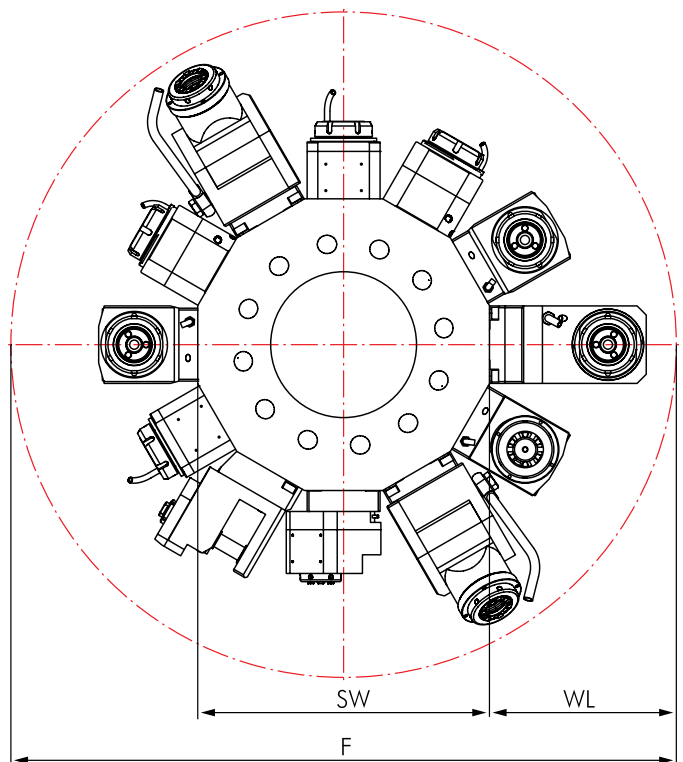
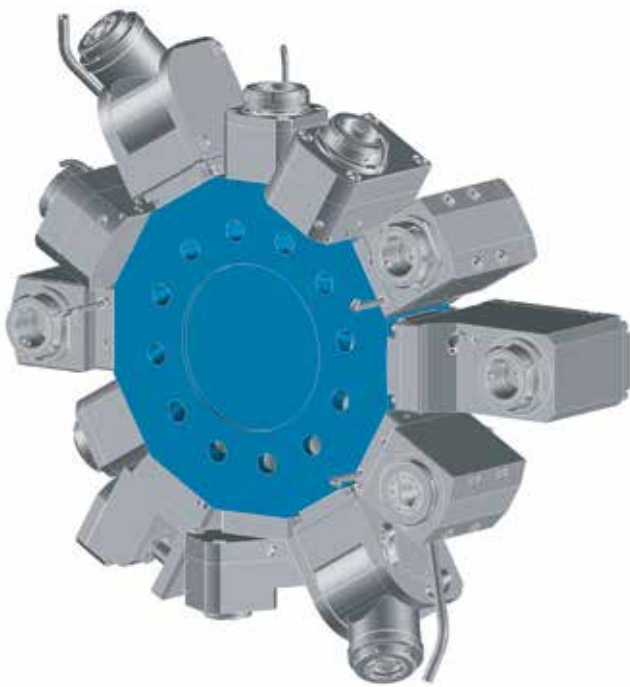
Data

Machine type Series		Turret Stations
LB 300	MW / MYW	12
LT 300	M / MY	12



Star-type Turret VDI 40

Interference Circles





Machine type Series	F	SW	WL
LB 300 MW/MYW	610	340	135
LT 300 M/MY	650	380	135



LB 300 - MW/MYW + LT 300 - M/MY

Connectable accessories with **BLUECOMPETENCE** » mimatic mi » PolyMILL » TriMILL » TrioCut » PolyREAM

Live Tools

	Page		Page
Straight Unit			348
Angle Unit			349-350

Options and Accessories

mi Toolholders		mi System Description Toolholders Accessories	471 473-477 478-479
Standard VDI Toolholders		VDI Toolholders Accessories	518-524 525-531
Accessories		Collets DIN 6499 Threading Collets Wrenches Clamping Nuts Sleeves and Bushings	526-527 528-529 525 525 531



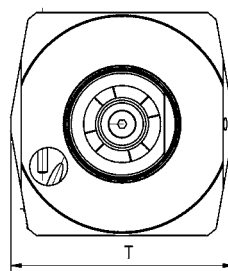
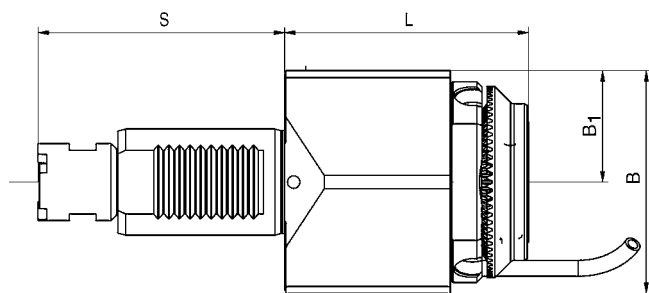
Delivery information

Driven toolholders with mi quick-change interface are supplied with operating wrench (see spare parts on page 479).
Driven toolholders with other interfaces are supplied without clamping wrench (see accessories on page 525).

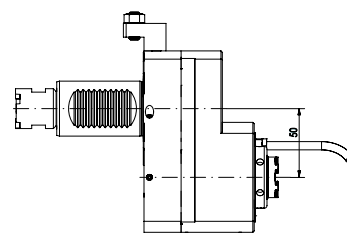
Straight Unit

Compatible accessories with **BLUECOMPETENCE** » mimatic mi » PolyMILL » TriMILL » TrioCut » PolyREAM

for Manufacturer	
LOKUMA	
for Machine type	
LB 300 - MW / MYW LT 300 - M / MY	
Dimensions	
Revolver type	Star-type Turret
Shank	VDI 40
Drive	Layer gear; single level
Graduation	30 / 60°
Modular Interfaces	
mimaticMi	



With offset:

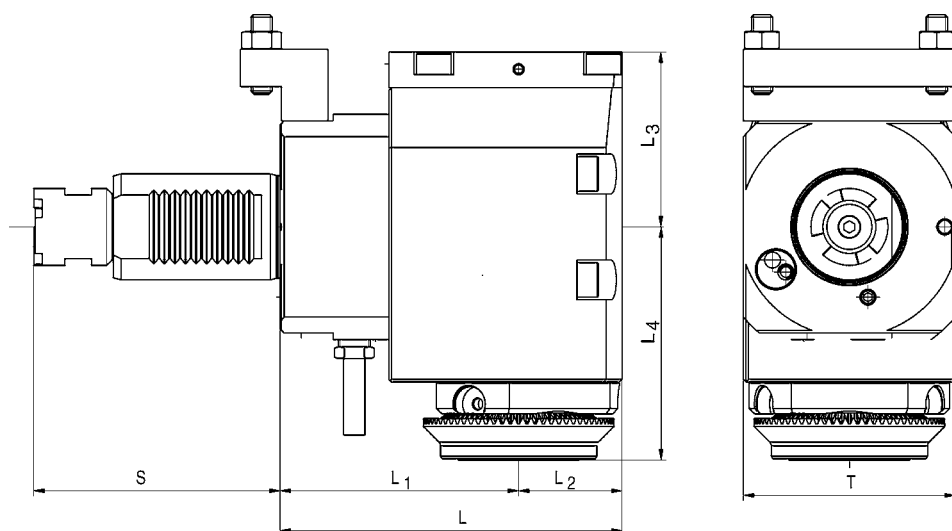
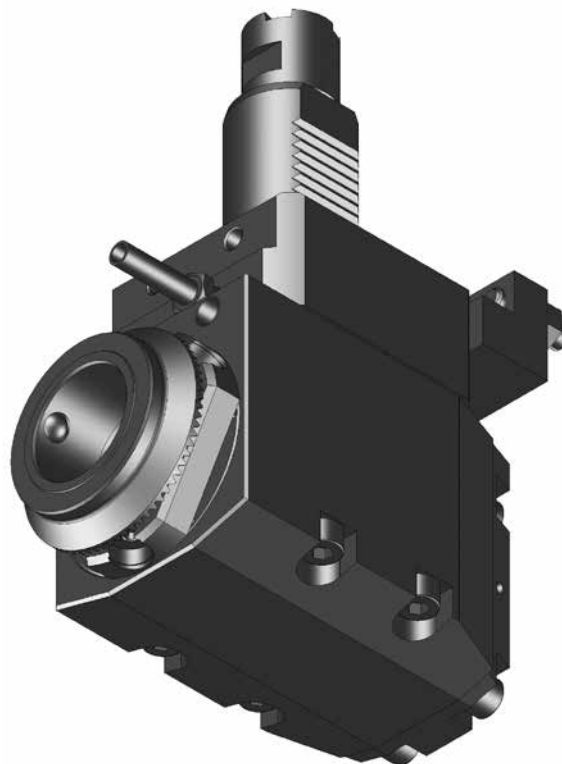


Order No.	Tool holder	Clamping range mm	Torque max.	n1/n2 (max.) (r.p.m.)	Gear Ratio	Coolant	L mm	B mm	B1 mm	S mm	T mm	Rotating direction
103441	ER 32	1,0-20	80 Nm	6.500 / 6.500	i = 1:1	external	75,5	87	38	93	75	↺ ↻
133711	ER 32*	1,0-20	80 Nm	6.500 / 6.500	i = 1:1	internal	75,5	87	38	93	75	↺ ↻
133712	mi 50	-	80 Nm	6.500 / 6.500	i = 1:1	internal	92,0	84	42	93	84	↺ ↻
With offset 50 mm:												
103644	ER 25*	0,5-16	20 Nm	6.500 / 13.000	i = 1:2	internal	90,0	132	42	93	80	↺ ↻

Angle Unit, Left-hand Version for Main-Spindle

Connectable accessories with **BLUECOMPETENCE** » mimatic mi » PolyMILL » TriMILL » TrioCut » PolyREAM

for Manufacturer	
for Machine type	
LB 300 - MW / MYW LT 300 - M / MY	
Dimensions	
Revolver type	Star-type Turret
Shank	VDI 40
Drive	Layer gear; single level
Graduation	30 / 60°
Modular Interfaces	



13

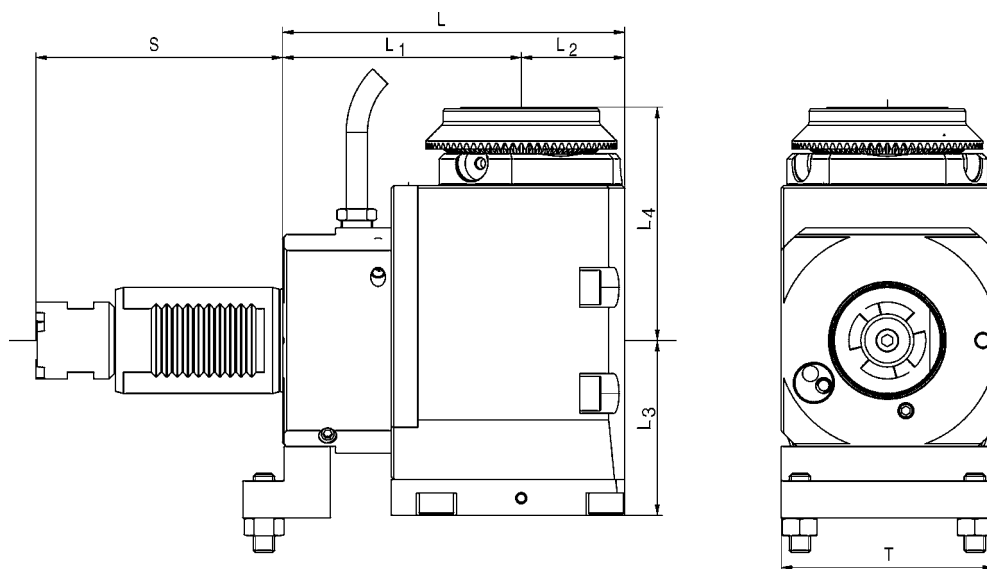
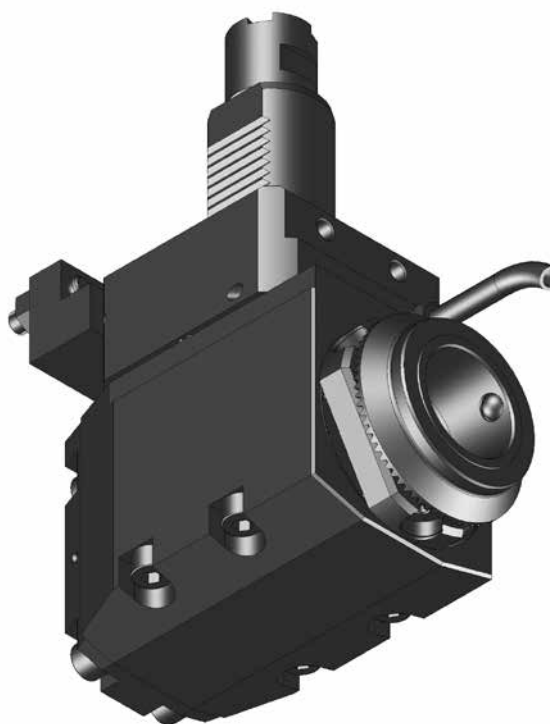
Order No.	Tool holder	Clamping range mm	Torque max.	n1/n2 (max.) (r.p.m.)	Gear Ratio	Coolant	L mm	L1 mm	L2 mm	L3 mm	L4 mm	S mm	T mm	Rotating direction
133704	ER 32	1,0-20	50 Nm	6.500 / 6.500	i = 1:1	external	129	90	39	66,0	70	93	80	
103478	ER 32*	1,0-20	50 Nm	6.500 / 6.500	i = 1:1	internal	129	90	39	66,0	70	93	80	
103462	mi 50	-	50 Nm	6.500 / 6.500	i = 1:1	internal	129	90	39	66,0	88	93	80	
133818	mi 40	-	25 Nm	6.500 / 13.000	i = 1:2		129	90	39	72,5	97	93	85	

* With clamping nuts with sealing, seals see page 530

Angle Unit, Right-hand Version for Sub-Spindle

Connectable accessories with **BLUECOMPETENCE** » mimatic mi » PolyMILL » TriMILL » TrioCut » PolyREAM

for Manufacturer	
for Machine type	
LB 300 - MW / MYW LT 300 - M / MY	
Dimensions	
Revolver type	Star-type Turret
Shank	VDI 40
Drive	Layer gear; single level
Graduation	30 / 60°
Modular Interfaces	



Order No.	Tool holder	Clamping range mm	Torque max.	n1/n2 (max.) (r.p.m.)	Gear Ratio	Coolant	L mm	L1 mm	L2 mm	L3 mm	L4 mm	S mm	T mm	Rotating direction
103471	ER 32	1,0-20	50 Nm	6.500 / 6.500	i = 1:1	external	129	90	39	66	70	93	80	
124845	ER 32*	1,0-20	50 Nm	6.500 / 6.500	i = 1:1	internal	129	90	39	66	70	93	80	
103523	mi 50	-	50 Nm	6.500 / 6.500	i = 1:1	internal	129	90	39	66	88	93	80	

BLUECOMPETENCE

Alliance Member

Partner of the Engineering Industry
Sustainability Initiative



13

Picture shows the mimatic[®] mi interface, a very innovative modular quick change system with one hand operation by Mimatic Tool Systems. It helps you to reduce machine downtimes because all units can be preset outside the machine.

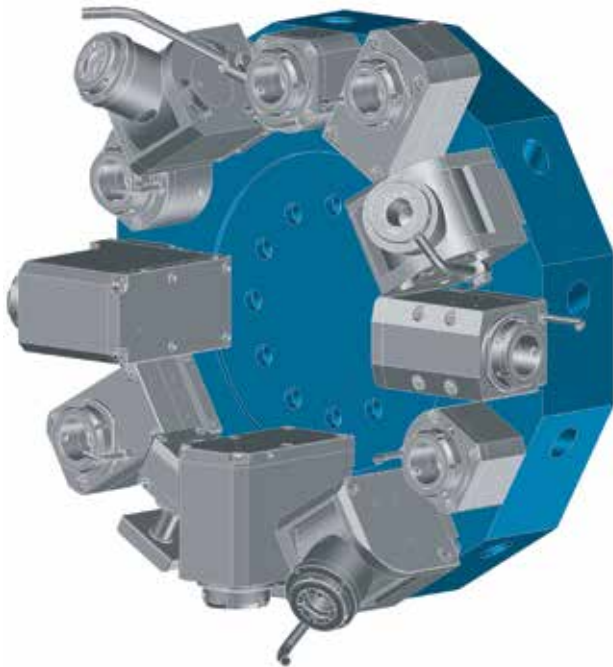
LOKUMA LVT 300 - M

Data

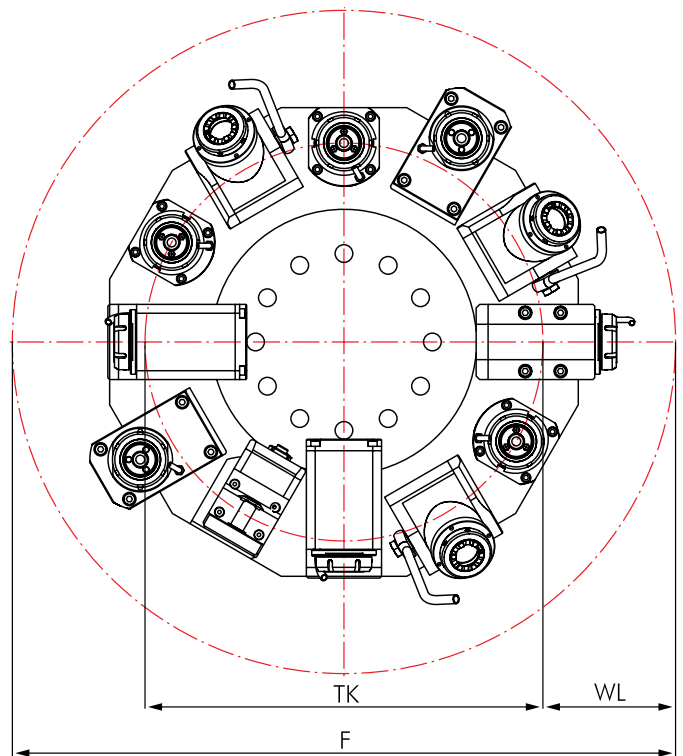
Machine type Series	Turret Stations
LVT 300 M	12



Disc-type Turret VDI 40





Interference Circles



Machine type Series	F	TK	WL
LVT 300	731	376	177

Live Tools

	Page		Page
Straight Unit			
	354		
Angle Unit			
			355

Options and Accessories

mi Toolholders		mi System Description Toolholders Accessories	471 473-477 478-479
Standard VDI Toolholders		VDI Toolholders Accessories	518-524 525-531
Accessories		Collets DIN 6499 Threading Collets Wrenches Clamping Nuts Sleeves and Bushings	526-527 528-529 525 525 531



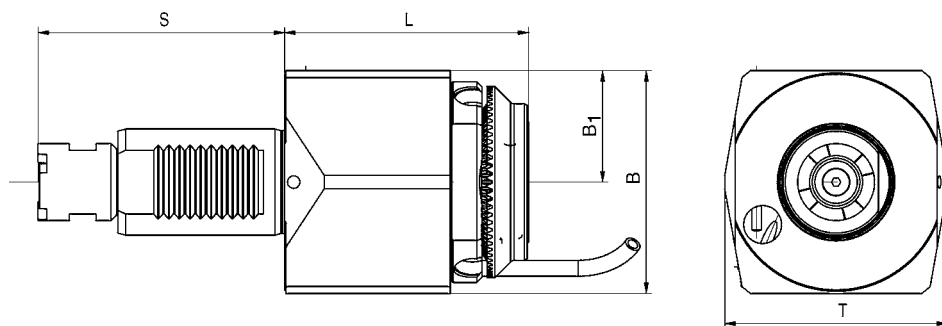
Delivery information

Driven toolholders with mi quick-change interface are supplied with operating wrench (see spare parts on page 479).
Driven toolholders with other interfaces are supplied without clamping wrench (see accessories on page 525).

Straight Unit

Connectable in accordance with **BLUECOMPETENCE** » mimatic mi » PolyMILL » TriMILL » TrioCut » PolyREAM

for Manufacturer	
LOKUMA	
for Machine type	
LVT 300 - M	
Dimensions	
Revolver type	Disc-type Turret
Shank	VDI 40
Drive	Layer gear; single level
Graduation	30 / 60°
Modular Interfaces	
mimaticMi	

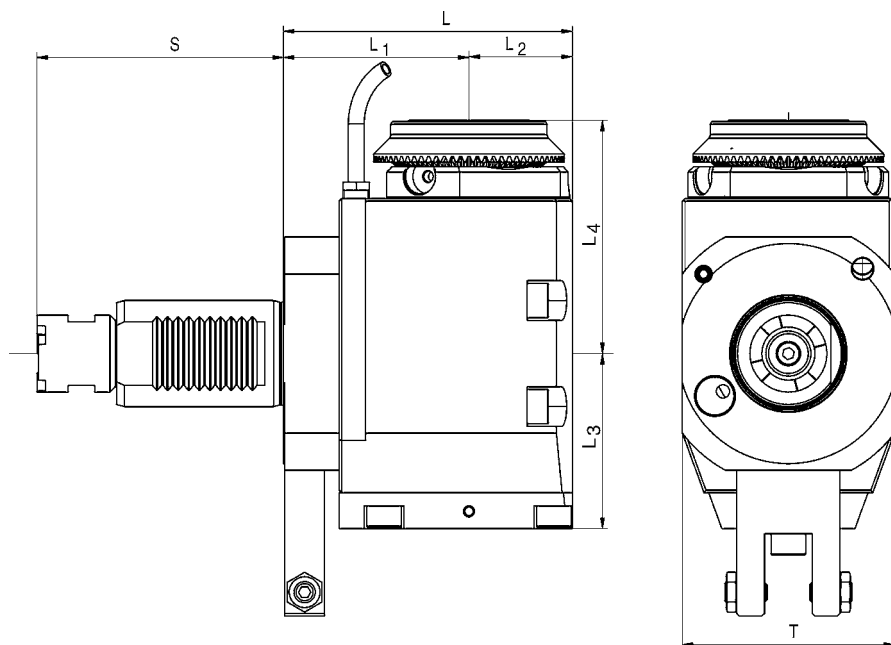


Order No.	Tool holder	Clamping range mm	Torque max.	n1/n2 (max.) (r.p.m.)	Gear Ratio	Coolant	L mm	B mm	B1 mm	S mm	T mm	Rotating direction
103441	ER 32	1,0-20	80 Nm	6.500 / 6.500	i = 1:1	external	75,5	87	38	93	75	↻ ↻
133711	ER 32*	1,0-20	80 Nm	6.500 / 6.500	i = 1:1	internal	75,5	87	38	93	75	↻ ↻
133712	mi 50	-	80 Nm	6.500 / 6.500	i = 1:1	internal	92,0	84	42	93	84	↻ ↻

Angle Unit

Compatible accessories with **BLUECOMPETENCE** » mimatic mi » PolyMILL » TriMILL » TrioCut » PolyREAM

for Manufacturer	
LOKUMA	
for Machine type	
LVT 300 - M	
Dimensions	
Revolver type	Disc-type Turret
Shank	VDI 40
Drive	Layer gear; single level
Graduation	30 / 60°
Modular Interfaces	
mimaticMi	



Order No.	Tool holder	Clamping range mm	Torque max.	n1/n2 (max.) (r.p.m.)	Gear Ratio	Coolant	L mm	L1 mm	L2 mm	L3 mm	L4 mm	S mm	T mm	Rotating direction
103528	ER 32	1,0-20	50 Nm	6.500 / 6.500	i = 1:1	external	109	70	39	66	70	93	80	↺ ↻
133717	ER 32*	1,0-20	50 Nm	6.500 / 6.500	i = 1:1	internal	109	70	39	66	70	93	80	↻ ↺
103486	mi 50	-	50 Nm	6.500 / 6.500	i = 1:1	internal	109	70	39	66	88	93	80	↻ ↺

* With clamping nuts with sealing, seals see page 530

LOKUMA

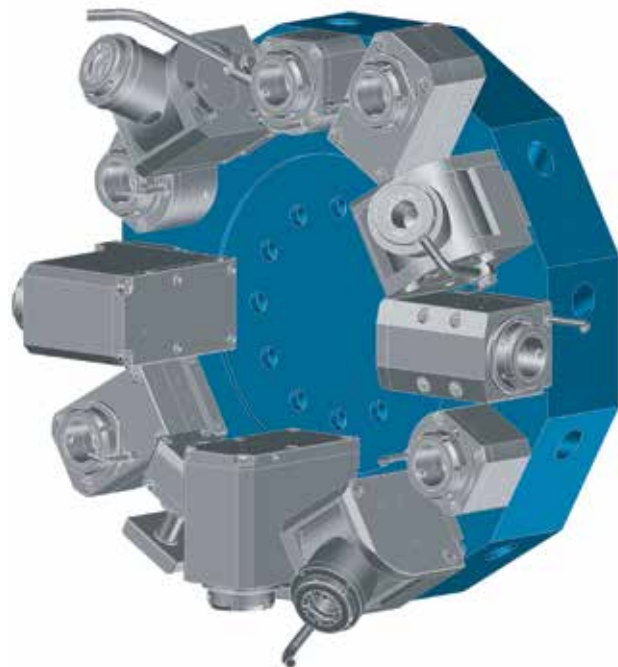
LB 400 - M / LU 400 - M (Upper Turret)

Data

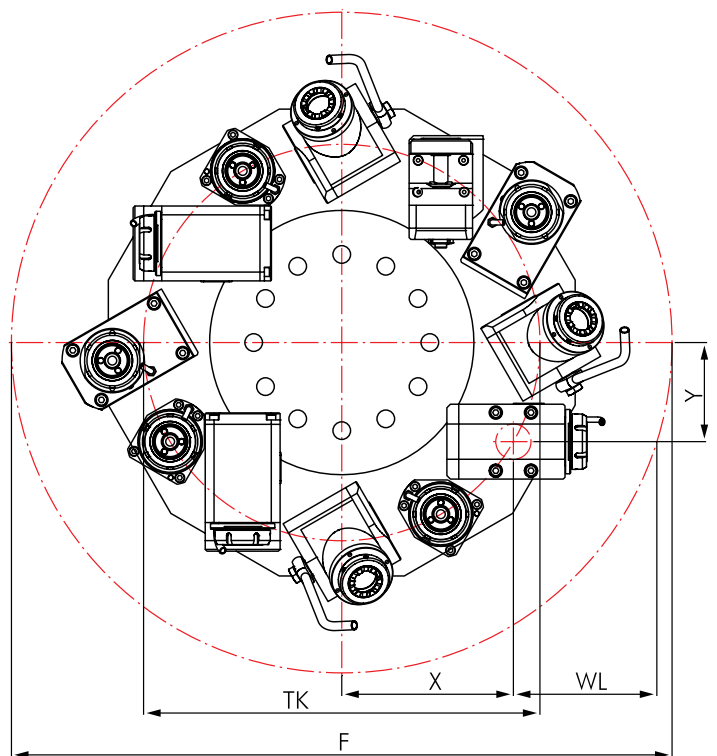
Machine type Series		Turret Stations
LB 400	M	12
LU 400	M	12



Disc-type Turret VDI 40



Interference Circles





Machine type Series	F	TK	X	Y	WL
LB/LU400	736	446	215	60	148



LB 400 - M / LU 400 - M (Upper Turret)

Connectable accessories with **BLUECOMPETENCE** » mimatic mi » PolyMILL » TriMILL » TrioCut » PolyREAM

Driven Toolholders

	Page		Page
Straight Unit			358
Angle Unit			359

Options and Accessories

mi Toolholders		mi System Description Toolholders Accessories	471 473-477 478-479
Standard VDI Toolholders		VDI Toolholders Accessories	518-524 525-531
Accessories		Collets DIN 6499 Threading Collets Wrenches Clamping Nuts Sleeves and Bushings	526-527 528-529 525 525 531



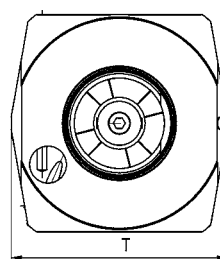
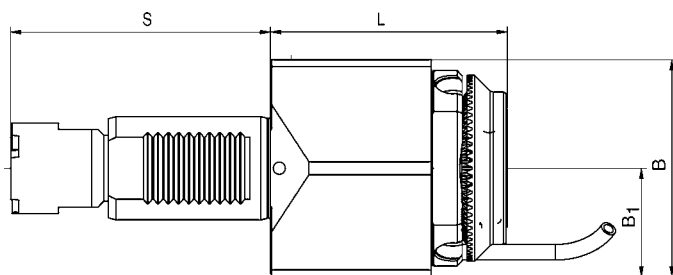
Delivery information

Driven toolholders with mi quick-change interface are supplied with operating wrench (see spare parts on page 479).
Driven toolholders with other interfaces are supplied without clamping wrench (see accessories on page 525).

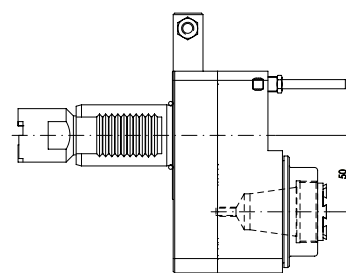
Straight Unit

Connectable in accordance with **BLUECOMPETENCE** » mimatic mi » PolyMILL » TriMILL » TrioCut » PolyREAM

for Manufacturer	
LOKUMA	
for Machine type	
LB 400-M LU 400-M (Only for Upper Turret)	
Dimensions	
Revolver type	Disc-type Turret
Shank	VDI 40
Drive	Layer gear; single level
Graduation	30 / 60°
Modular Interfaces	
mimaticMi	



With offset:

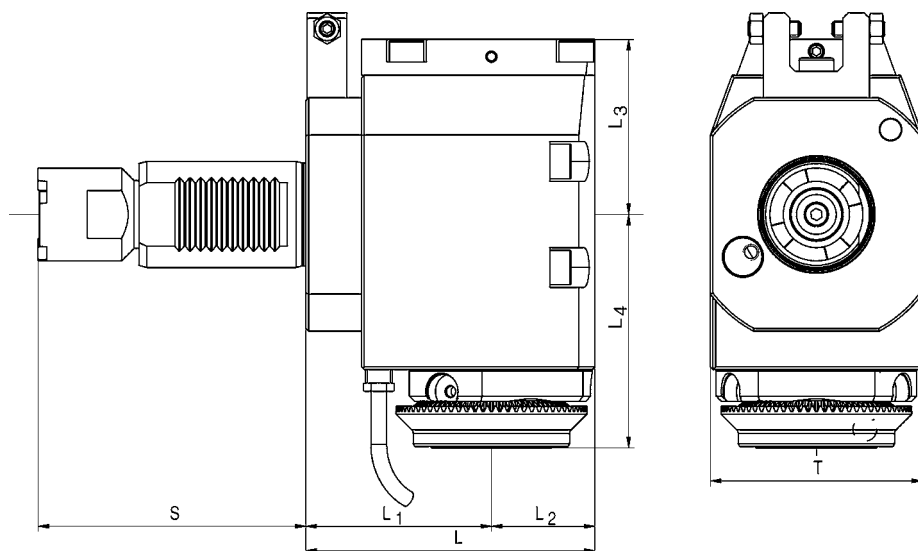
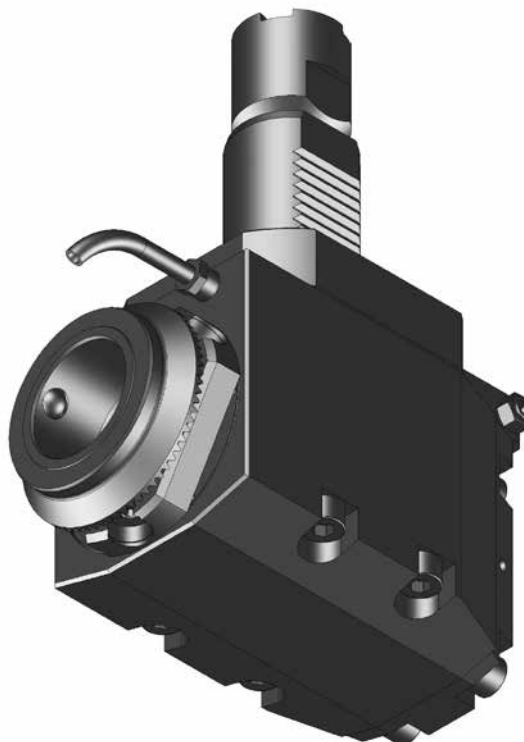


Order No.	Tool holder	Clamping range mm	Torque max.	n1/n2 (max.) (r.p.m.)	Gear Ratio	Coolant	L mm	B mm	B1 mm	S mm	T mm	Rotating direction
103505	ER 32	1,0-20	80 Nm	6.500 / 6.500	i = 1:1	external	75,5	87	38	101	75	↺ ↻
103509	ER 32*	1,0-20	80 Nm	6.500 / 6.500	i = 1:1	internal	75,5	87	38	101	75	↺ ↻
103521	mi 50	-	80 Nm	6.500 / 6.500	i = 1:1	internal	92,0	84	42	101	84	↺ ↻
With offset 50 mm:												
124010	ER 32	1,0-20	50 Nm	6.500 / 6.500	i = 1:1	external	95,0	160	70	101	80	↺ ↻

Angle Unit

Connectable in accordance with **BLUECOMPETENCE** » mimatic mi » PolyMILL » TriMILL » TrioCut » PolyREAM

for Manufacturer	
LOKUMA	
for Machine type	
LB 400-M LU 400-M (Only for Upper Turret)	
Dimensions	
Revolver type	Disc-type Turret
Shank	VDI 40
Drive	Layer gear; single level
Graduation	30 / 60°
Modular Interfaces	
mimaticMi	



Order No.	Tool holder	Clamping range mm	Torque max.	n1/n2 (max.) (r.p.m.)	Gear Ratio	Coolant	L mm	L1 mm	L2 mm	L3 mm	L4 mm	S mm	T mm	Rotating direction
103542	ER 32	1,0-20	50 Nm	6.500 / 6.500	i = 1:1	external	109	70	39	66	70	101	80	↺ ↻
103492	ER 32*	1,0-20	50 Nm	6.500 / 6.500	i = 1:1	internal	109	70	39	66	70	101	80	↻ ↺
103538	mi 50	-	50 Nm	6.500 / 6.500	i = 1:1	internal	109	70	39	66	88	101	80	↻ ↺

* With clamping nuts with sealing, seals see page 530

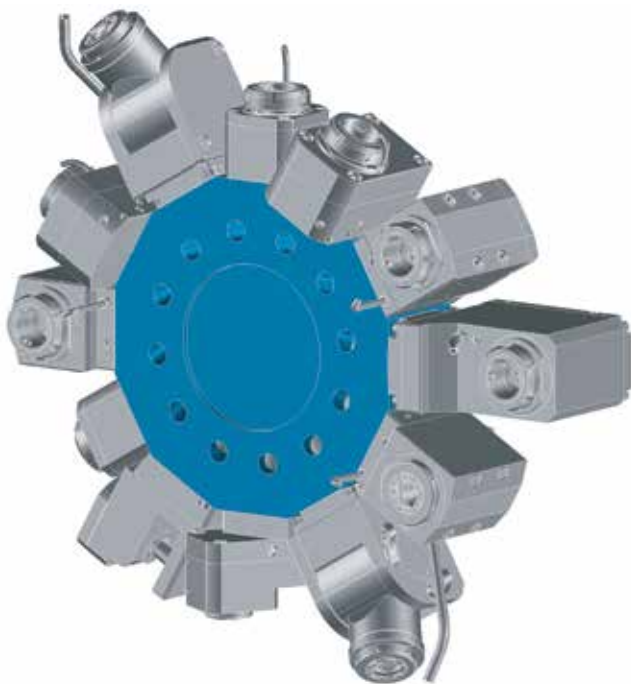
LOKUMA LB 2000 / 2500 / 3000

Data

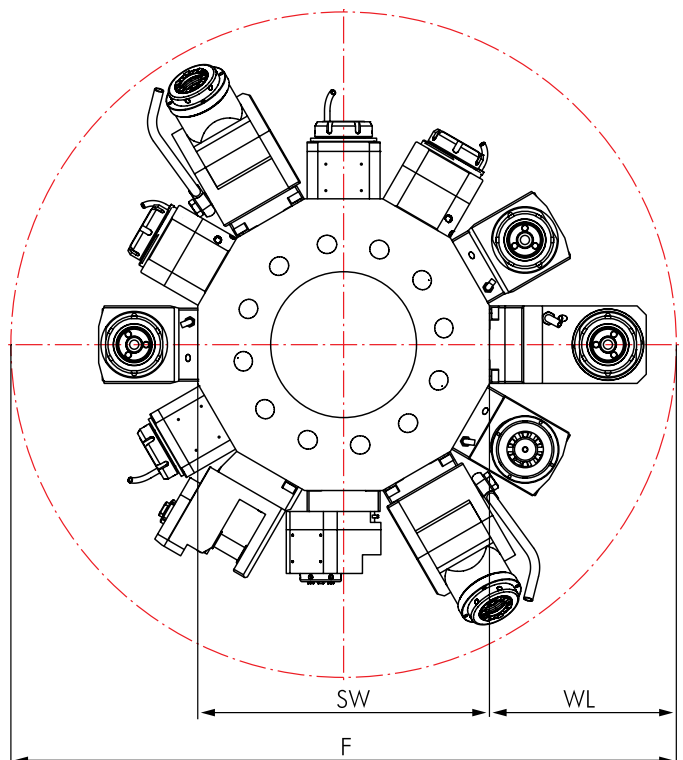
Machine type Series		Turret Stations
LB 2000	EX	12
LB 2500	EX	12
LB 3000	EX	12



Star-type Turret „BMT“


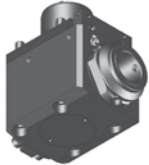


Interference Circles



The interference circles are depending on your CNC machine. You can find it in your machine instruction manuals.

Live Tools

	Page		Page
Straight Unit			
	362		
Angle Unit			
			363

Options and Accessories

mi Toolholders		mi System Description Toolholders Accessories	471 473-477 478-479
Accessories		Collets DIN 6499 Threading Collets Wrenches Clamping Nuts Sleeves and Bushings	526-527 528-529 525 525 531



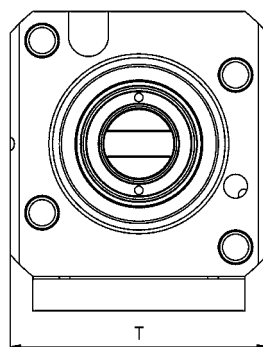
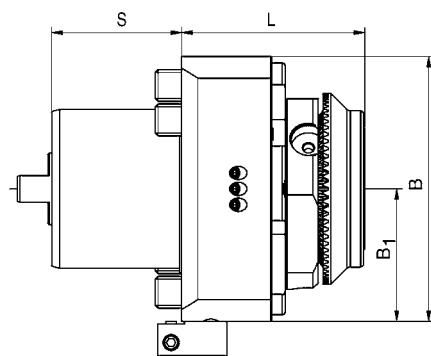
Delivery information

Driven toolholders with mi quick-change interface are supplied with operating wrench (see spare parts on page 479).
Driven toolholders with other interfaces are supplied without clamping wrench (see accessories on page 525).

Straight Unit

Connectable in accordance with **BLUECOMPETENCE** » mimatic mi » PolyMILL » TriMILL » TrioCut » PolyREAM

for Manufacturer	
for Machine type	
LB 2000 LB 2500 LB 3000	
Dimensions	
Turret type	Star-type Turret
Shank	BMT Ø 60 mm
Drive	Tang
SW	10 mm
Modular Interfaces	

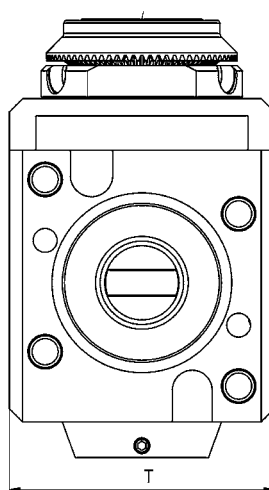
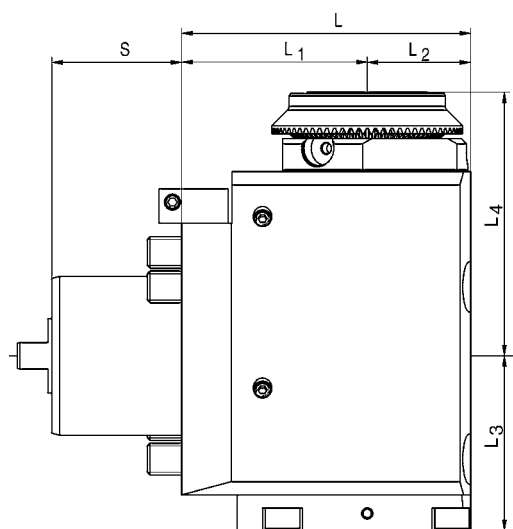
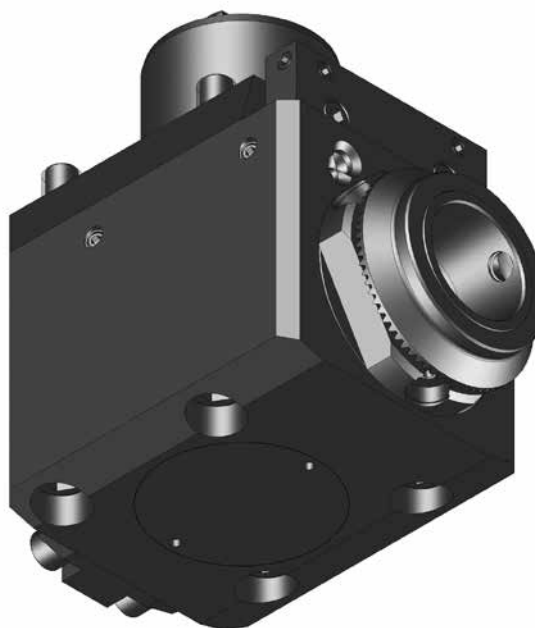


Order No.	Tool holder	Clamping range mm	Torque max.	n1/n2 (max.) (r.p.m.)	Gear Ratio	Coolant	L mm	B mm	B1 mm	S mm	T mm	Rotating direction
176408	ER 32	1,0-20	80 Nm	6.000 / 6.000	i = 1:1	external	65	100	50	49	97	
167718	ER 32*	1,0-20	80 Nm	6.000 / 6.000	i = 1:1	internal	65	100	50	49	97	
167714	mi 50	-	80 Nm	6.000 / 6.000	i = 1:1	internal	69	100	50	49	97	

Angle Unit

Connectable accessories with **BLUECOMPETENCE** » mimatic mi » PolyMILL » TriMILL » TrioCut » PolyREAM

for Manufacturer	
for Machine type	
<p>LB 2000 LB 2500 LB 3000</p>	
Dimensions	
Turret type	Star-type Turret
Shank	BMT Ø 60 mm
Drive	Tang
SW	10 mm
Modular Interfaces	



Order No.	Tool holder	Clamping range mm	Torque max.	n1/n2 (max.) (r.p.m.)	Gear Ratio	Coolant	L mm	L1 mm	L2 mm	L3 mm	L4 mm	S mm	T mm	Rotating direction
167731	ER 32*	1,0-20	50 Nm	6.500 / 6.500	i = 1:1	internal	109	70	39	66	84,5	49	100	
167710	mi 50	-	50 Nm	6.500 / 6.500	i = 1:1	internal	109	70	39	66	99,5	49	100	

* With clamping nuts with sealing, seals see page 530

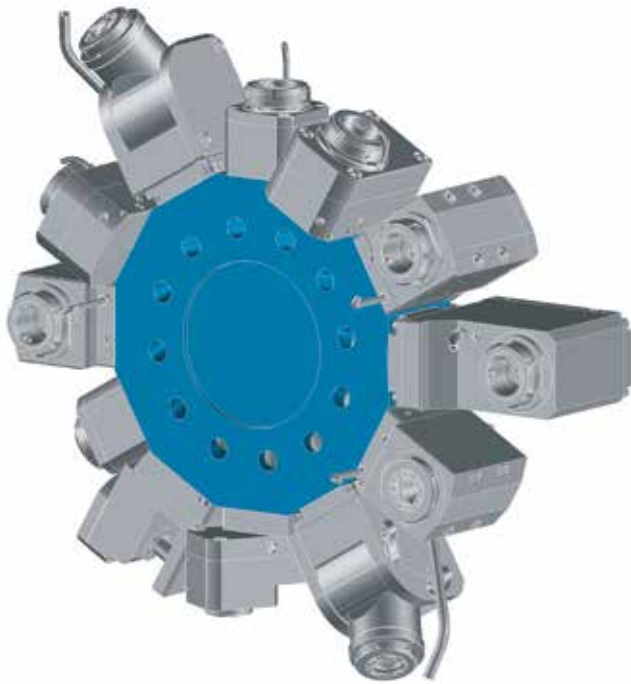
LOKUMA LT 2000

Data

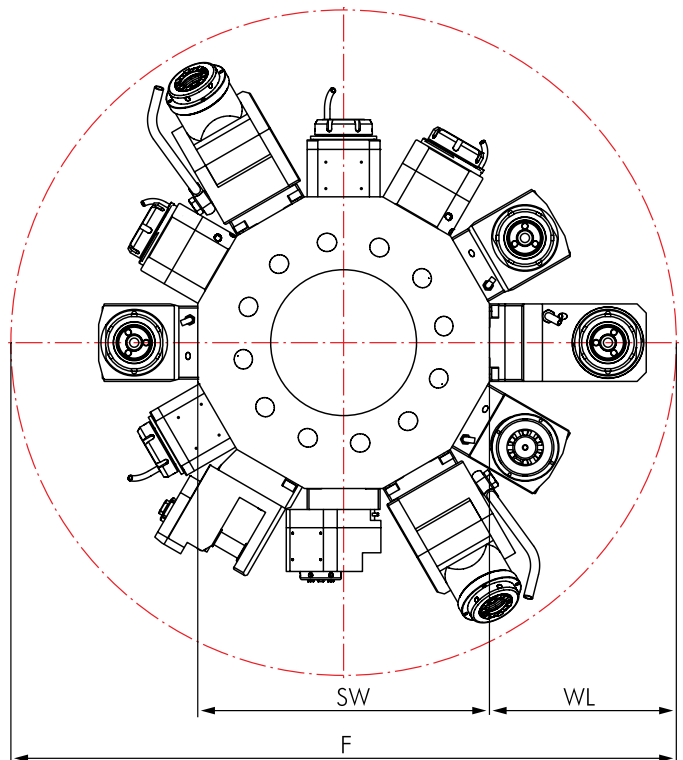
Machine type Series	Turret Stations
LT 2000 EX	16



Star-type Turret „BMT“

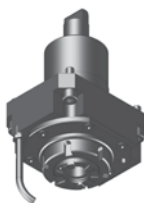




Interference Circles



Machine type Series	F	SW	WL
LT 2000 EX	650	420	115

Live Tools

	Page		Page		
Straight Unit		366	Angle Unit, 2-Axis		368
Angle Unit		367			

Options and Accessories

mi Toolholders		mi System Description Toolholders Accessories	471 473-477 478-479
Accessories		Collets DIN 6499 Threading Collets Wrenches Clamping Nuts Sleeves and Bushings	526-527 528-529 525 525 531



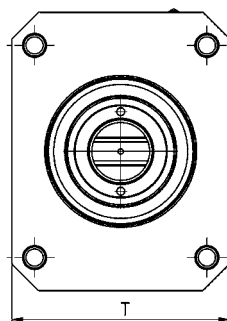
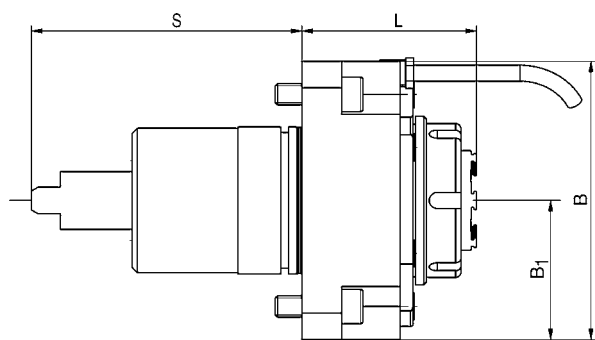
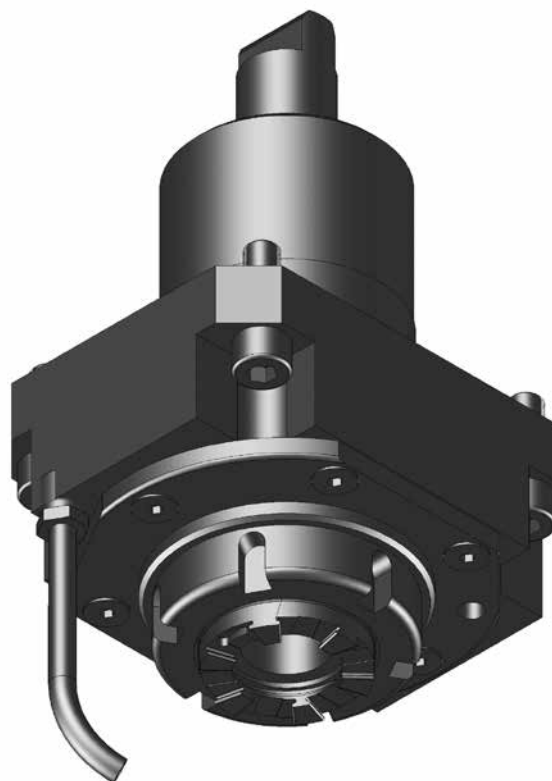
Delivery information

Driven toolholders with mi quick-change interface are supplied with operating wrench (see spare parts on page 479).
Driven toolholders with other interfaces are supplied without clamping wrench (see accessories on page 525).

Straight Unit

Connectable in accordance with **BLUECOMPETENCE** » PolyMILL » TriMILL » TrioCut » PolyREAM

for Manufacturer	
LOKUMA	
for Machine type	
LT 2000	
Dimensions	
Turret type	Star-type Turret
Shank	BMT Ø 55,4 mm
Drive	Tang
SW	10 mm

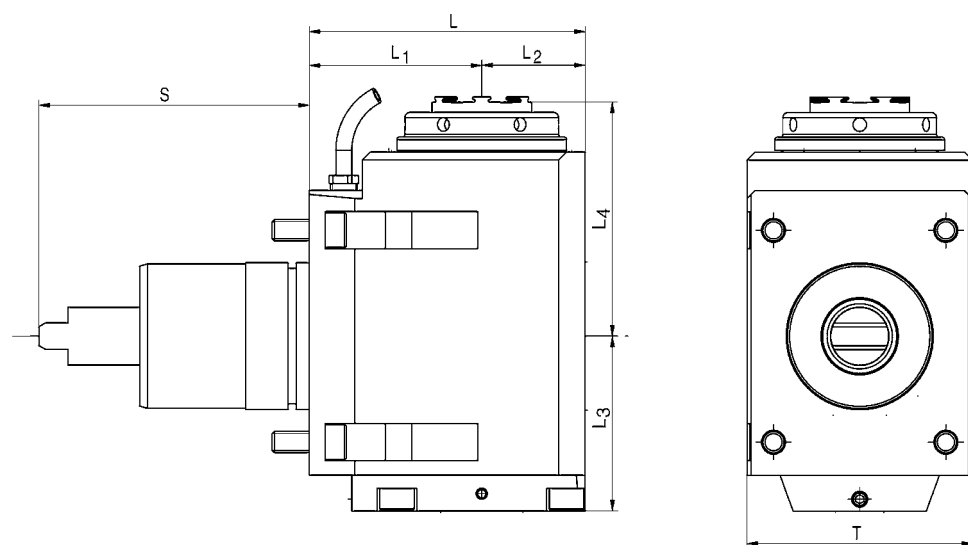


Order No.	Tool holder	Clamping range mm	Torque max.	n1/n2 (max.) (r.p.m.)	Gear Ratio	Coolant	L mm	B mm	B1 mm	S mm	T mm	Rotating direction
176394	ER 32	1,0-20	80 Nm	6.500 / 6.500	i = 1:1	external	65	105	50	105	82	↺ ↻
176393	ER 32*	1,0-20	80 Nm	6.500 / 6.500	i = 1:1	internal	65	105	50	105	82	↻ ↺

Angle Unit

Compatible accessories with **BLUECOMPETENCE** » PolyMILL » TriMILL » TrioCut » PolyREAM

for Manufacturer	
LOKUMA	
for Machine type	
LT 2000	
Dimensions	
Turret type	Star-type Turret
Shank	BMT Ø 55,4 mm
Drive	Tang
SW	10 mm



13

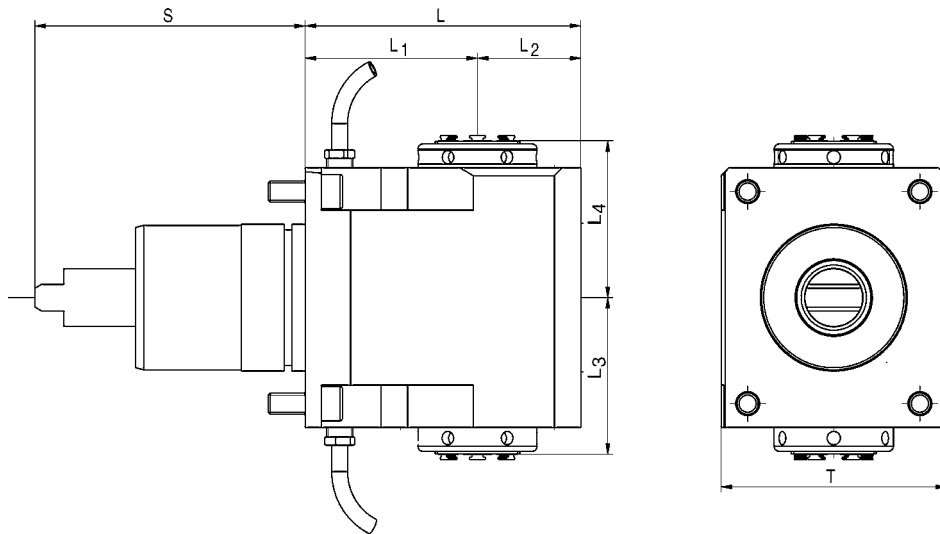
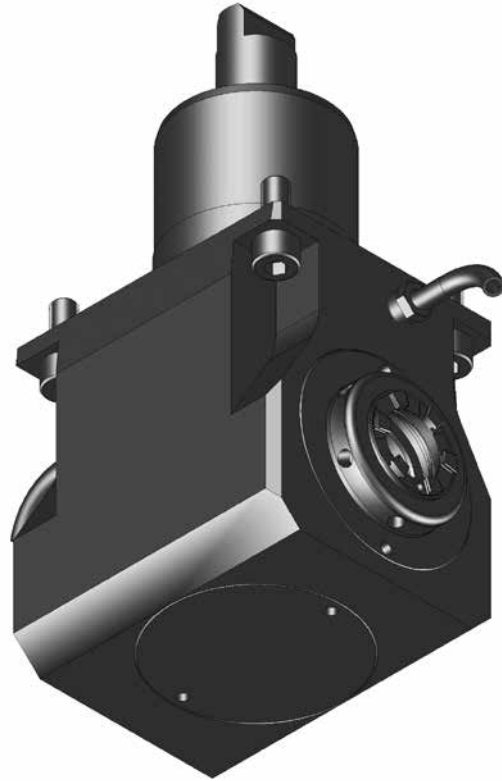
Order No.	Tool holder	Clamping range mm	Torque max.	n1/n2 (max.) (r.p.m.)	Gear Ratio	Coolant	L mm	L1 mm	L2 mm	L3 mm	L4 mm	S mm	T mm	Rotating direction
176401	ER 32	1,0-20	70 Nm	6.500 / 6.500	i = 1:1	external	102	65	37	68	88	102	85	↻ ↻
176400	ER 32*	1,0-20	70 Nm	6.500 / 6.500	i = 1:1	internal	102	65	37	68	88	102	85	↻ ↻

* With clamping nuts with sealing, seals see page 530

Angle Unit, 2-Axis

Compatible accessories with **BLUECOMPETENCE** » PolyMILL » TriMILL » TrioCut » PolyREAM

for Manufacturer	
LOKUMA	
for Machine type	
LT 2000	
Dimensions	
Turret type	Star-type Turret
Shank	BMT Ø 55,4 mm
Drive	Tang
SW	10 mm



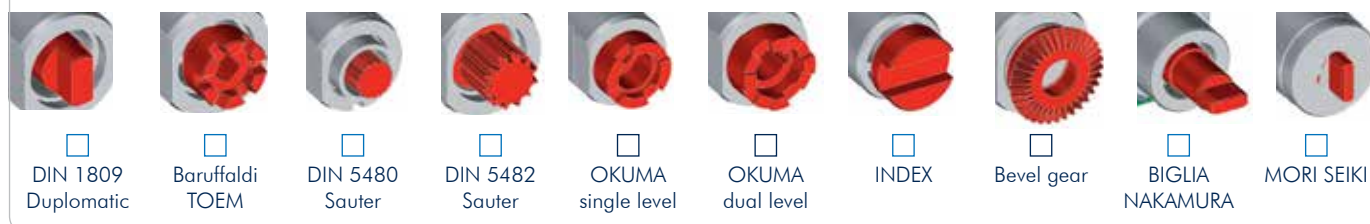
Order No.	Tool holder	Clamping range mm	Torque max.	n1/n2 (max.) (r.p.m.)	Gear Ratio	Coolant	L mm	L1 mm	L2 mm	L3 mm	L4 mm	S mm	T mm
176655	ER 25	0,5-16	30 Nm	6.500 / 6.500	i = 1:1	external	104	65	39	60	60	102	85

Form for Inquiry, Part 1
Fax +49-831-57444-90

Company	
Name	
Street	
Zip/City	
Phone	
Fax	
E-Mail	

Specifications to the Machine

Manufacturer		
Type, Year of manufacturing		
Machine No.		
Coolant		
Coolant pressure (internal coolant)		
Spindle speed max.		r.p.m
max. torque of the spindle		Nm
Turret manufacturer	Typ. No.	
Turret Revolver type	Disc-type Turret	Star-type Turret
Number of slots		
max. swinging circle		mm
Operation	Main spindle	Sub spindle
Revolver drive	please mark with a cross:	



Specifications to the Operation

Operation		
(drilling, milling, turning, etc.)		
Material		
Tool		
Tool diameter		mm
Work piece drawing	yes (please transmit)	no

Specifications to the Tool














Shank size VDI		mm
Others		
Gear ratio		i=
Spindle speed wanted		r.p.m
Torque moment wanted		Nm
Coolant	yes	no
max. coolant pressure through the spindle (internal)		
Coolant nozzle		
Coolant pipe		
Notice		

Form for Inquiry, Part 2
Fax +49-831-57444-90

Specifications to the Tool







Type

please notice your required number of pieces:

						
<input type="checkbox"/>	<input type="checkbox"/>	<input type="checkbox"/>	<input type="checkbox"/>	<input type="checkbox"/>	<input type="checkbox"/>	
Straight, central	Straight, Offset Type (A= mm)	Angle, central	Angle, Offset Type (A= mm)	Multi spindle unit Straight, central	Multi spindle unit Straight, Offset Type (A= mm)	
						
<input type="checkbox"/>	<input type="checkbox"/>	<input type="checkbox"/>	<input type="checkbox"/>	<input type="checkbox"/>	<input type="checkbox"/>	
Multi spindle unit angle, central	Multi spindle unit angle, Offset Type (A= mm)	Y-Unit adjustable	Angle Unit adjustable	Special angle fixed (°)	Saw blade holder, straight	Saw blade holder, angle

Toolholder

please mark with a cross:

											
<input type="checkbox"/>	<input type="checkbox"/>	<input type="checkbox"/>	<input type="checkbox"/>	<input type="checkbox"/>	<input type="checkbox"/>	<input type="checkbox"/>	<input type="checkbox"/>	<input type="checkbox"/>	<input type="checkbox"/>	<input type="checkbox"/>	<input type="checkbox"/>
mi Quick change tool system	SYNAX Tapping quick change system	Hydro-Flex Hydraulic clamping system	Collet ER DIN 6499	Weldon/ Whistle- Notch	Komet ABS	Coromant CAPTO	Shell mill holders	KM / UTS	HSK	SK	Saw blade

Tool type

right

left

