



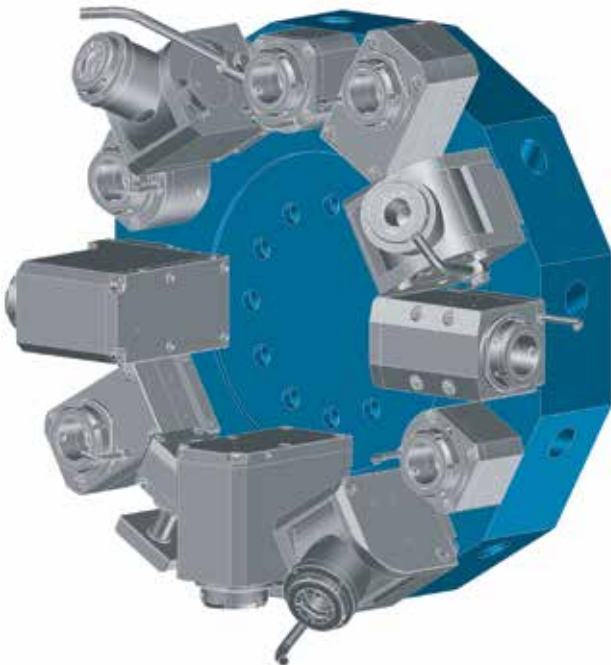
**DIN 5482 (B 15 x 12)**

**Data**

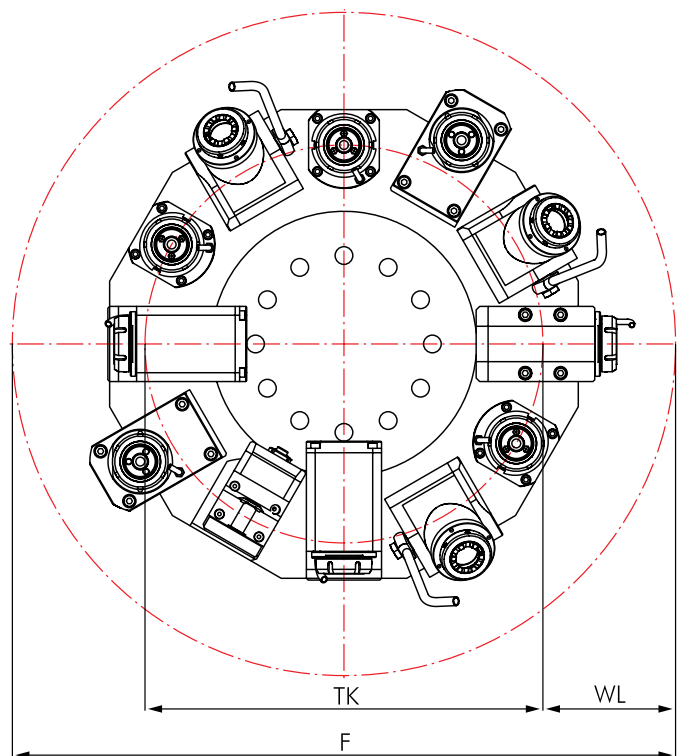
Disc-type Turret	Turret Stations
<b>Drive</b>	<b>DIN 5482 (B 15 x 12)</b>



**Disc-type Turret VDI 30**



**Interference Circles**



The interference circles are depending on your CNC machine. You can find it in your machine instruction manuals.

## Live Tools

	Page		Page
<b>Straight Unit</b>	372		
<b>Angle Unit, Offset Type</b>			374
<b>Angle Unit</b>	373		
<b>Angle Unit, adjustable 0-100°</b>			375
<b>Saw Blade Holder</b>			376

## Options and Accessories

<b>mi Toolholders</b>		mi System Description Toolholders Accessories	471 473-477 478-479
<b>Standard VDI Toolholders</b>		VDI Toolholders Accessories	518-524 525-531
<b>Accessories</b>		Collets DIN 6499 Threading Collets Wrenches Clamping Nuts Sleeves and Bushings	526-527 528-529 525 525 531



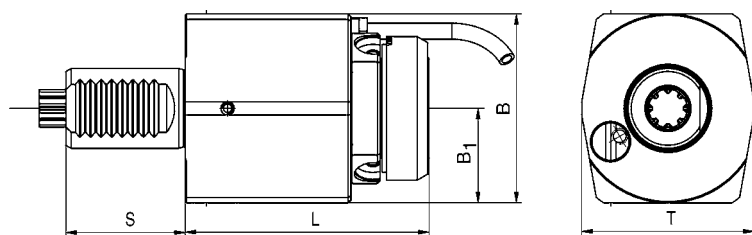
### Delivery information

Driven toolholders with mi quick-change interface are supplied with operating wrench (see spare parts on page 479).  
Driven toolholders with other interfaces are supplied without clamping wrench (see accessories on page 525).

# Straight Unit

Connectable accessories with **BLUECOMPETENCE** » mimatic mi » PolyMILL » TriMILL » TrioCut » PolyREAM

for Turret Manufacturer	
<b>SAUTER</b>	
with Drive	
<b>DIN 5482 (B 15 x 12)</b>	
Dimensions	
Revolver type	Disc-type Turret
Shank	VDI 30
Drive	DIN 5482 B 15 x 12 Z = 8 Ø 14,5 mm
Modular Interfaces	
<b>mimaticMi</b>	

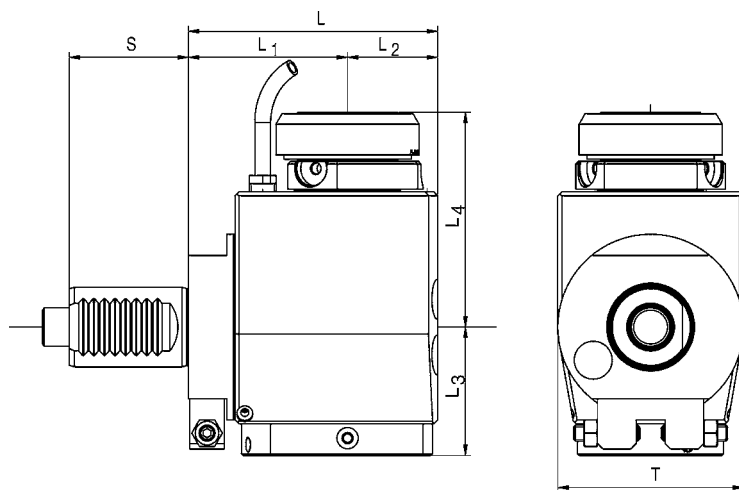
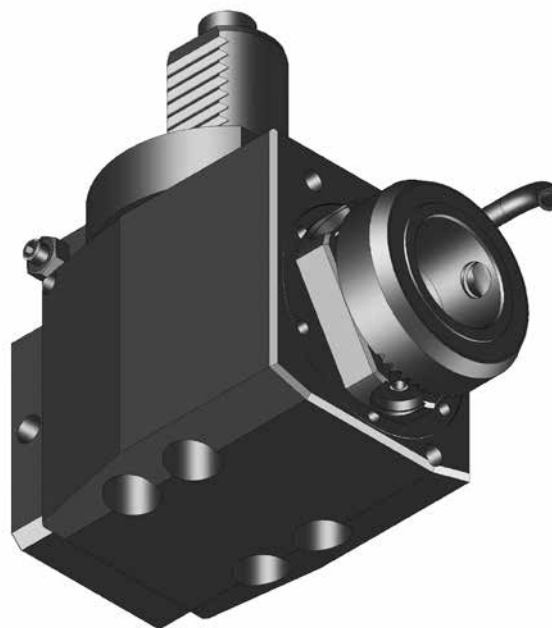


Order No.	Tool holder	Clamping range mm	Torque max.	n1/n2 (max.) (r.p.m.)	Gear Ratio	Coolant	L mm	B mm	B1 mm	S mm	T mm	Rotating direction
123780	ER 25	0,5-16	40 Nm	6.500 / 6.500	i = 1:1	external	77	70	35,0	45	70	↺ ↻
124135	ER 25*	0,5-16	25 Nm	6.500 / 6.500	i = 1:1	internal	77	70	35,0	45	70	↺ ↻
124137	mi 40	-	25 Nm	6.500 / 6.500	i = 1:1	internal	92	71	35,5	45	65	↺ ↻

# Angle Unit

Connectable accessories with **BLUECOMPETENCE** » mimatic mi » PolyMILL » TriMILL » TrioCut » PolyREAM

for Turret Manufacturer	
<b>SAUTER</b>	
with Drive	
<b>DIN 5482 (B 15 x 12)</b>	
Dimensions	
Revolver type	Disc-type Turret
Shank	VDI 30
Drive	DIN 5482 B 15 x 12 Z = 8 Ø 14,5 mm
Modular Interfaces	
<b>mimaticMi</b>	



Order No.	Tool holder	Clamping range mm	Torque max.	n1/n2 (max.) (r.p.m.)	Gear Ratio	Coolant	L mm	L1 mm	L2 mm	L3 mm	L4 mm	S mm	T mm	Rotating direction
124491	ER 25	0,5-16	25 Nm	6.500 / 6.500	i = 1:1	external	94	60	34	36,5	60	45	70	↻ ↻
101413	ER 25*	0,5-16	25 Nm	6.500 / 6.500	i = 1:1	internal	94	60	34	54,0	60	45	70	↻ ↻
169181	mi 40	-	25 Nm	6.500 / 6.500	i = 1:1	internal	94	60	34	48,5	81	45	70	↻ ↻

\* With clamping nuts with sealing, seals see page 530

# Angle Unit, Offset Type

Connectable accessories with **BLUECOMPETENCE** » mimatic mi » PolyMILL » TriMILL » TrioCut » PolyREAM

for Turret Manufacturer

**SAUTER**

with Drive

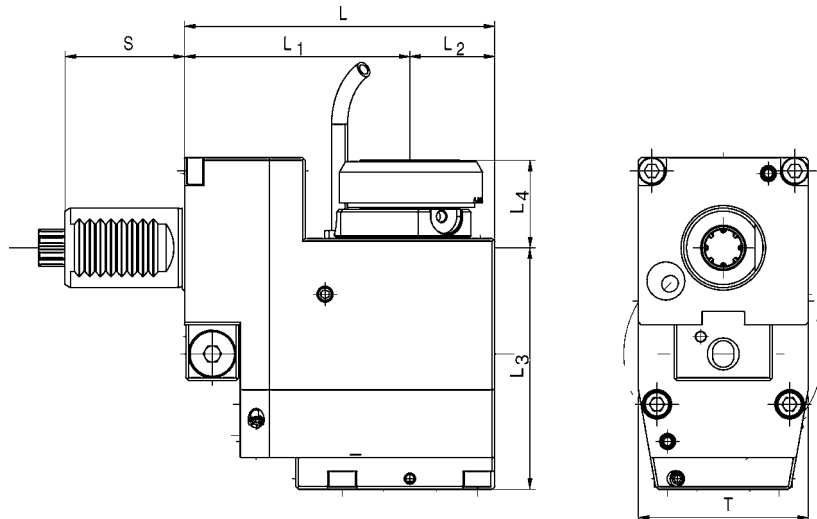
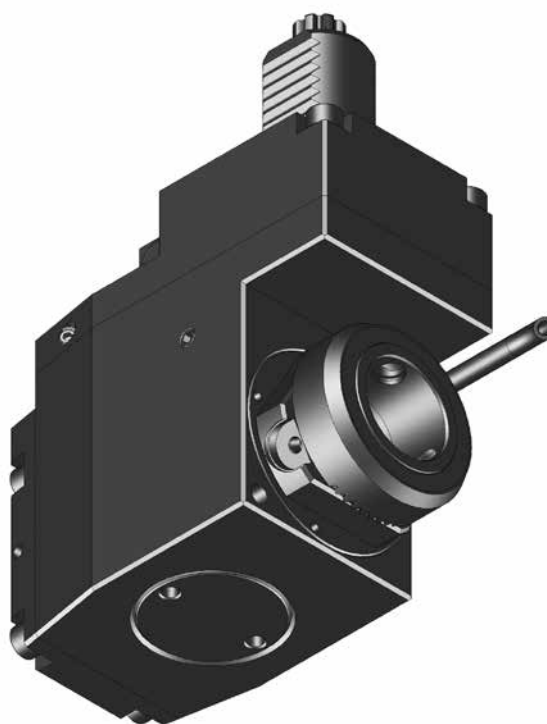
**DIN 5482 (B 15 x 12)**

Dimensions

Revolver type	Disc-type Turret
Shank	VDI 30
Drive	DIN 5482 B 15 x 12 Z = 8 Ø 14,5 mm

Modular Interfaces

**mimaticMi**

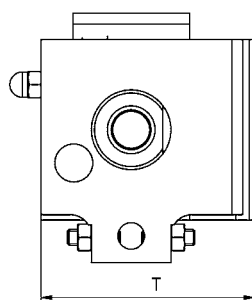
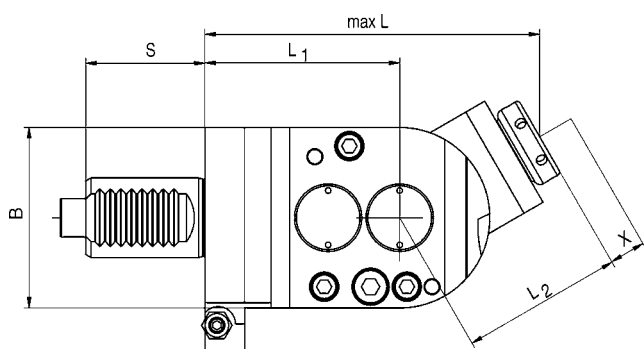
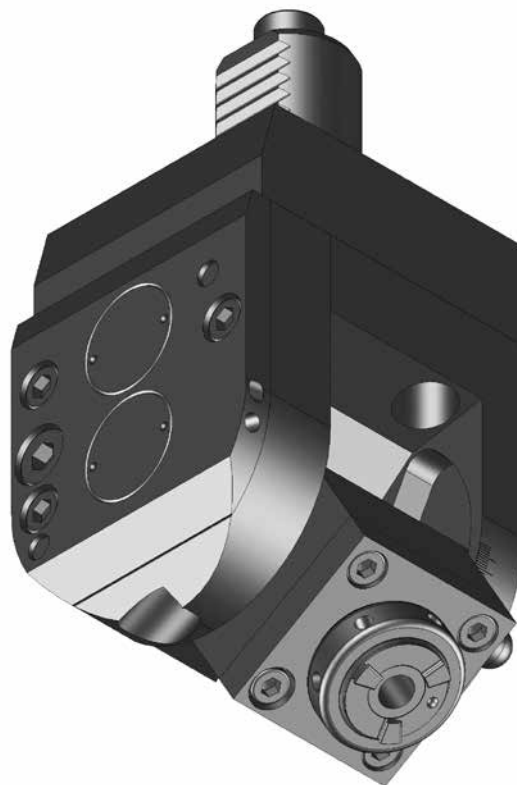


Order No.	Tool holder	Clamping range mm	Torque max.	n1/n2 (max.) (r.p.m.)	Gear Ratio	Coolant	L mm	L1 mm	L2 mm	L3 mm	L4 mm	S mm	T mm	Rotating direction
124497**	ER 25	0,5-16	25 Nm	6.500 / 6.500	i = 1:1	external	117	85	32	91	15	45	64	↺ ↻
166412**	ER 25*	0,5-16	25 Nm	6.500 / 6.500	i = 1:1	internal	117	85	32	91	15	45	64	↻ ↺
124401**	mi 40	-	25 Nm	6.500 / 6.500	i = 1:1	internal	117	85	32	91	33	45	64	↻ ↺

# Angle Unit, Adjustable 0-100°

Connectable in accordance with **BLUECOMPETENCE** » PolyMILL » TriMILL » PolyREAM

for Turret Manufacturer	
<b>SAUTER</b>	
with Drive	
<b>DIN 5482 (B 15 x 12)</b>	
Dimensions	
Revolver type	Disc-type Turret
Shank	VDI 30
Drive	DIN 5482 B 15 x 12 Z = 8 Ø 14,5 mm

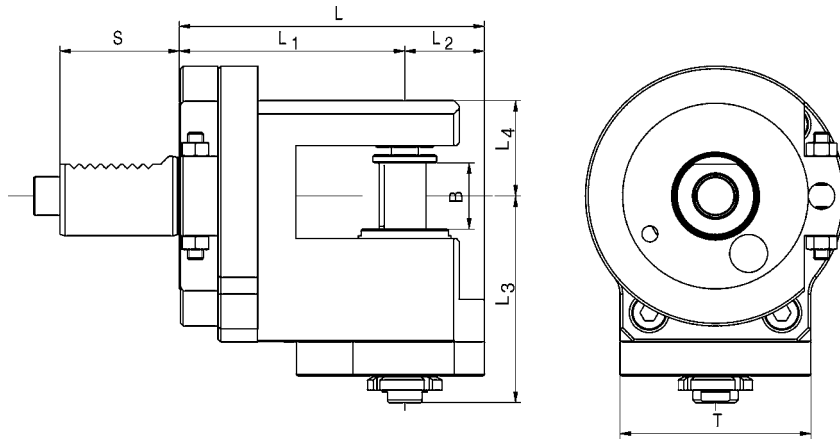
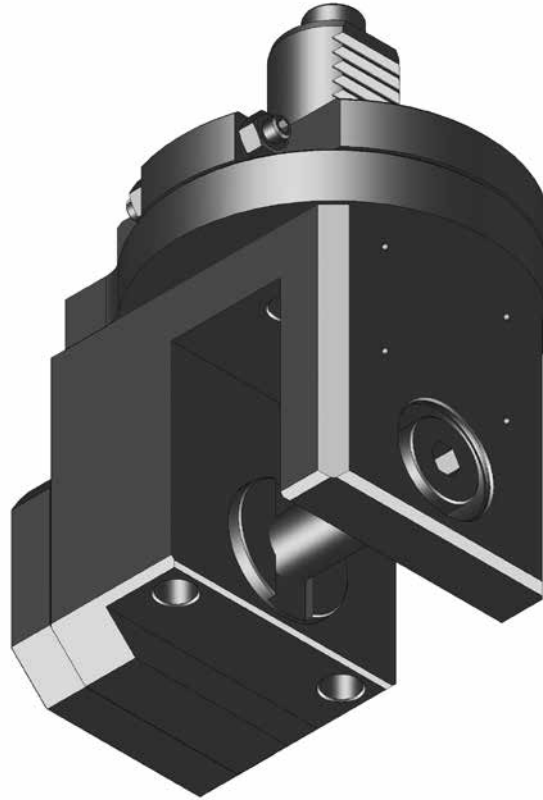


Order No.	Tool holder	Clamping range mm	Torque max.	n1/n2 (max.) (r.p.m.)	Gear Ratio	Coolant	L mm	L1 mm	L2 mm	B mm	S mm	T mm	Rotating direction
179178*	ER 16	0,5-10	6 Nm	6.500 / 6.500	i = 1:1	external	138	73,5	64,5	85,5	45	68	↻ ↻

\* with precision adjustable unit PIN Ø 8 mm

# Saw Blade Holder

for Turret Manufacturer	
<b>SAUTER</b>	
with Drive	
<b>DIN 5482 (B 15 x 12)</b>	
Dimensions	
Turret type	Disc-type Turret
Shank	VDI 30
Drive	DIN 5482 B 15 x 12 Z = 8 Ø 14,5 mm



Order No.	Fitting dia. mm	Torque max.	n1/n2 (max.) (r.p.m.)	Gear Ratio	Coolant	L mm	L1 mm	L2 mm	L3 mm	L4 mm	B mm	S mm	T mm
101777*	16	20 Nm	6.500 / 2.450	i = 2,66:1	external	115	85	30	77,3	36	25	45	72

**BLUECOMPETENCE**

Alliance Member

Partner of the Engineering Industry  
Sustainability Initiative



Picture shows angle live tool (90°) for a Sauter VDI 40 turret with a mimatic<sup>®</sup> mi50 interface. The mimatic<sup>®</sup> mi interface is a very innovative modular quick change system to reduce machine downtimes because all units can be preset outside the machine.





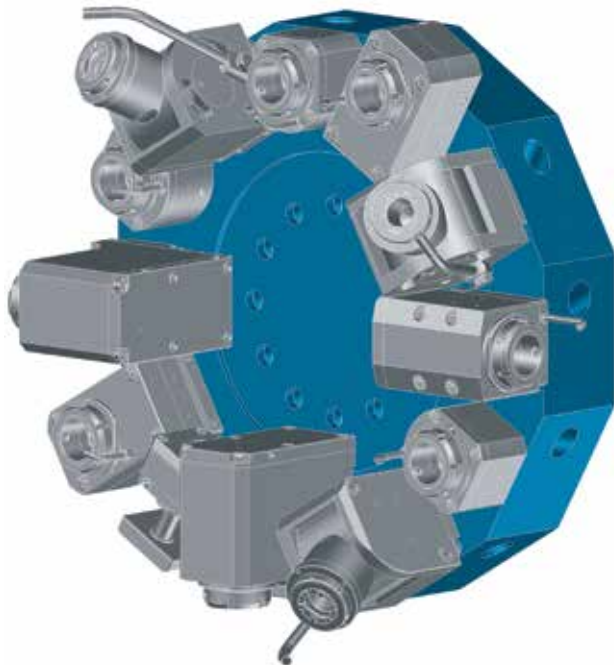
**DIN 5482 (B 17 x 14)**

**Data**

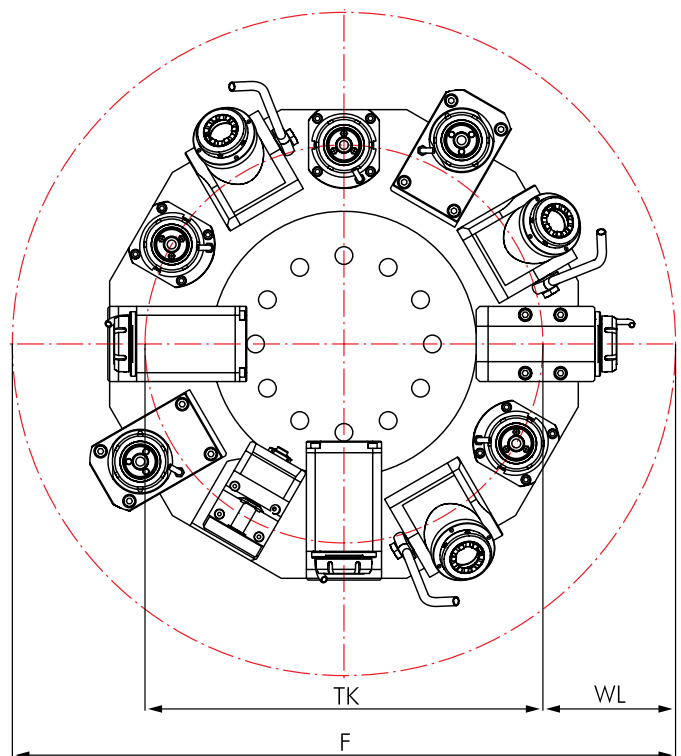
Disc-type Turret	Turret Stations
<b>Drive</b>	<b>DIN 5482 (B 17 x 14)</b>



**Disc-type Turret VDI 40**



**Interference Circles**



The interference circles are depending on your CNC machine. You can find it in your machine instruction manuals.

## Live Tools

	Page		Page
<b>Straight Unit</b>	380		
<b>Angle Unit, Offset Type</b>			382
<b>Angle Unit</b>	381		
<b>Angle Unit, adjustable 0-100°</b>			383
<b>Saw Blade Holder</b>			384

## Options and Accessories

<b>mi Toolholders</b>		mi System Description Toolholders Accessories	471 473-477 478-479
<b>Standard VDI Toolholders</b>		VDI Toolholders Accessories	518-524 525-531
<b>Accessories</b>		Collets DIN 6499 Threading Collets Wrenches Clamping Nuts Sleeves and Bushings	526-527 528-529 525 525 531



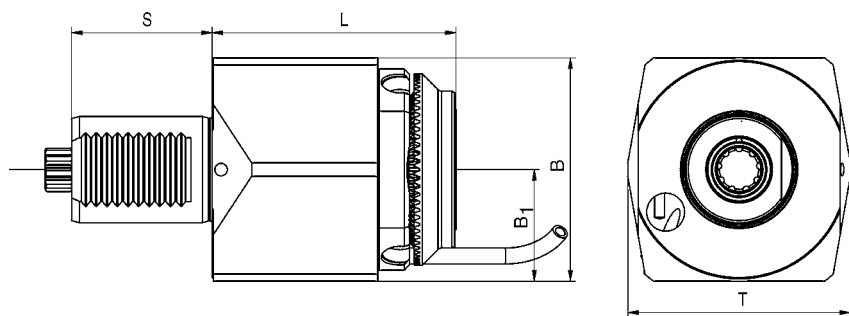
### Delivery information

Driven toolholders with mi quick-change interface are supplied with operating wrench (see spare parts on page 479).  
Driven toolholders with other interfaces are supplied without clamping wrench (see accessories on page 525).

## Straight Unit

Connectable in accordance with **BLUECOMPETENCE** » mimatic mi » PolyMILL » TriMILL » TrioCut » PolyREAM

for Turret Manufacturer	
<b>SAUTER</b>	
with Drive	
<b>DIN 5482 (B 17 x 14)</b>	
Dimensions	
Revolver type	Disc-type Turret
Shank	VDI 40
Drive	DIN 5482 B 17 x 14 Z = 9 Ø 16,5 mm
Modular Interfaces	
<b>mimaticMi</b> <b>HydroFLEX</b>	

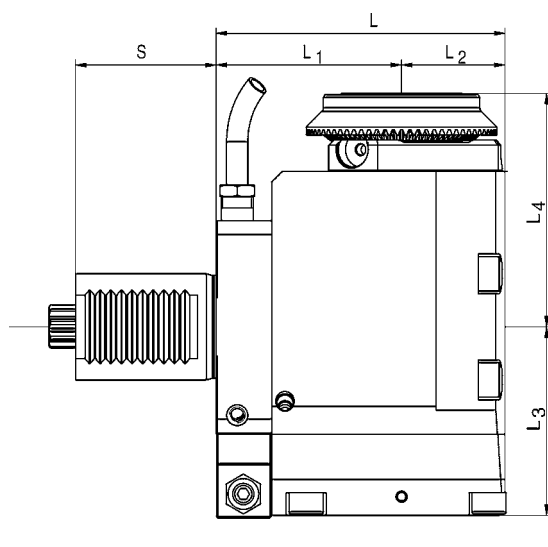
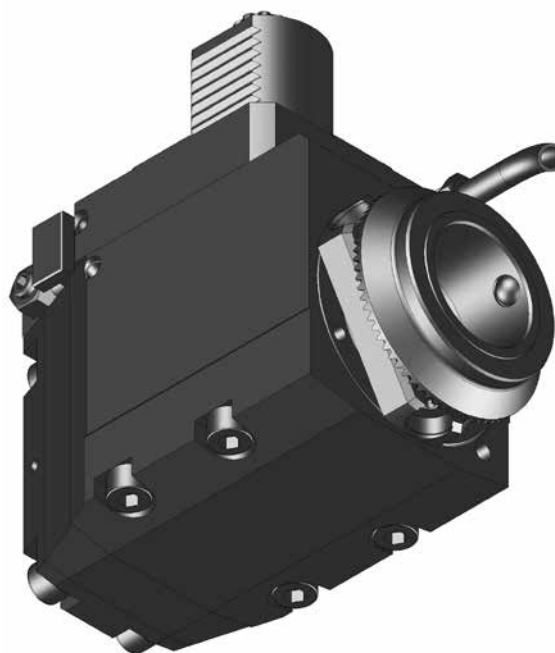


Order No.	Tool holder	Clamping range mm	Torque max.	n1/n2 (max.) (r.p.m.)	Gear Ratio	Coolant	L mm	B mm	B1 mm	S mm	T mm	Rotating direction
123797	ER 32	1,0-20	80 Nm	5.400 / 5.400	i = 1:1	external	95	80	40	53	80	↺ ↻
124154	ER 32*	1,0-20	80 Nm	6.000 / 6.000	i = 1:1	internal	80	89	40	53	80	↺ ↻
124157	mi 50	0,5-20	80 Nm	6.000 / 6.000	i = 1:1	internal	92	89	40	53	80	↺ ↻
124146	Hydro-Flex 20	6,0-20	80 Nm	8.000 / 8.000	i = 1:1	internal	83	89	40	53	80	↺ ↻

# Angle Unit

Connectable in accordance with **BLUECOMPETENCE** » mimatic mi » PolyMILL » TriMILL » TrioCut » PolyREAM

for Turret Manufacturer	
<b>SAUTER</b>	
with Drive	
<b>DIN 5482 (B 17 x 14)</b>	
Dimensions	
Revolver type	Disc-type Turret
Shank	VDI 40
Drive	DIN 5482 B 17 x 14 Z = 9 Ø 16,5 mm
Modular Interfaces	
<b>mimaticMi</b> <b>HydroFLEX</b>	



13

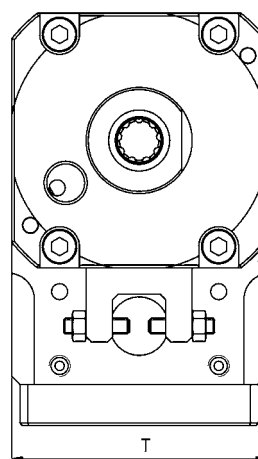
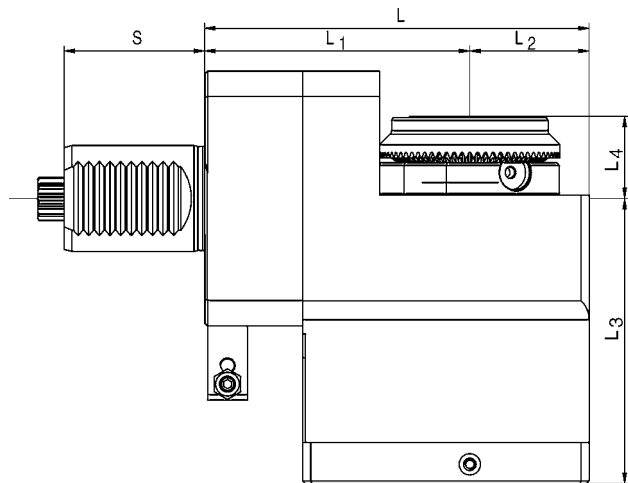
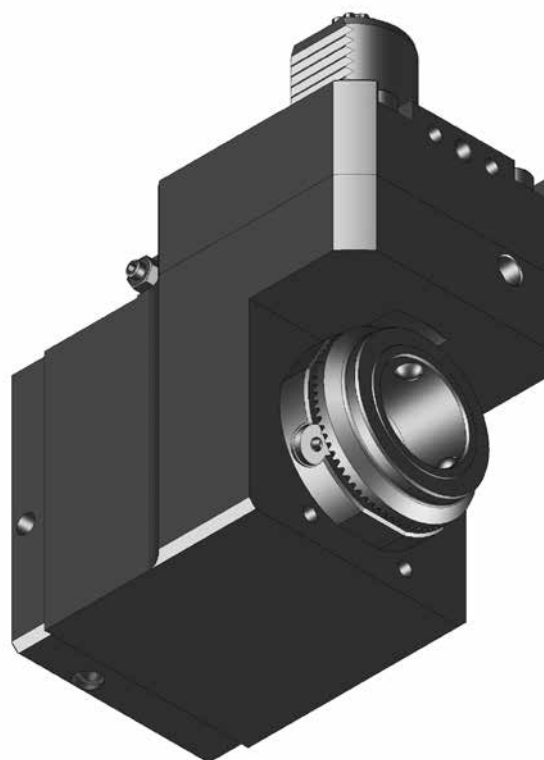
Order No.	Tool holder	Clamping range mm	Torque max.	n1/n2 (max.) (r.p.m.)	Gear Ratio	Coolant	L mm	L1 mm	L2 mm	L3 mm	L4 mm	S mm	T mm	Rotating direction
124516	ER 32	1,0-20	50 Nm	5.400 / 5.400	i = 1:1	external	113	70	43	69,0	70	53	80	↺ ↻
124804	ER 32*	1,0-20	50 Nm	5.200 / 5.200	i = 1:1	internal	113	70	43	75,5	70	53	80	↺ ↻
124805	mi 50	-	50 Nm	6.500 / 6.500	i = 1:1	internal	113	70	43	75,5	88	53	80	↺ ↻
124801	Hydro-Flex 20	6,0-20	50 Nm	5.200 / 5.200	i = 1:1	internal	113	70	43	75,5	82	53	80	↺ ↻
124909	ER 25*	0,5-16	20 Nm	6.000 / 12.000	i = 1:2	internal	109	70	39	72,5	75	53	85	↺ ↻
124683	mi 40	-	20 Nm	6.000 / 12.000	i = 1:2	external	109	70	39	72,5	95	53	85	↺ ↻

\* With clamping nuts with sealing, seals see page 530

# Angle Unit, Offset Type

Connectible in accordance with **BLUECOMPETENCE** » mimatic mi » PolyMILL » TriMILL » TrioCut » PolyREAM

for Turret Manufacturer	
<b>SAUTER</b>	
with Drive	
<b>DIN 5482 (B 17 x 14)</b>	
Dimensions	
Revolver type	Disc-type Turret
Shank	VDI 40
Drive	DIN 5482 B 17 x 14 Z = 9 Ø 16,5 mm
Modular Interfaces	
<b>mimaticMi</b>	

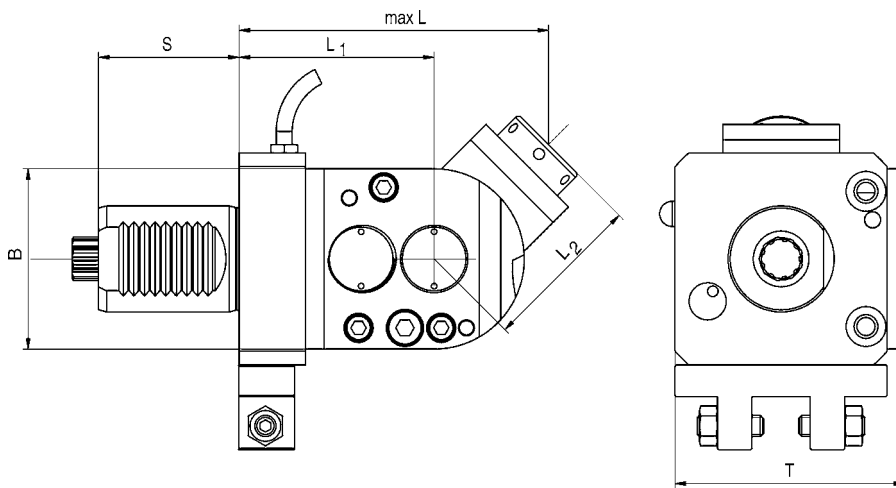
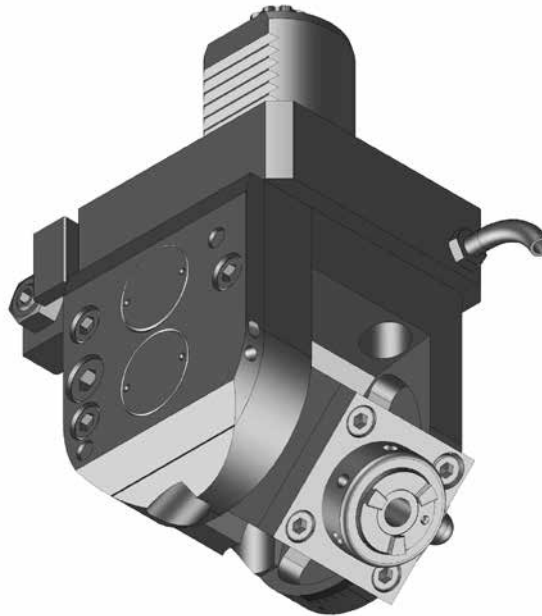


Order No.	Tool holder	Clamping range mm	Torque max.	n1/n2 (max.) (r.p.m.)	Gear Ratio	Coolant	L mm	L1 mm	L2 mm	L3 mm	L4 mm	S mm	T mm	Rotating direction
124740	ER 32	1,0-20	80 Nm	6.000 / 6.000	i = 1:1	external	120	70	34	76,5	37	53	72	↻ ↻
124407	ER 32*	1,0-20	80 Nm	6.000 / 6.000	i = 1:1	internal	112	70	42	110,0	20	53	84	↻ ↻
124408**	mi 50	-	100 Nm	4.000 / 4.000	i = 1:1	internal	145	100	45	107,5	31	53	96	↻ ↻

# Angle Unit, Adjustable 0-100°

Connectable in accordance with **BLUECOMPETENCE** » PolyMILL » TriMILL » PolyREAM

for Turret Manufacturer	
<b>SAUTER</b>	
with Drive	
<b>DIN 5482 (B 17 x 14)</b>	
Dimensions	
Revolver type	Disc-type Turret
Shank	VDI 40
Drive	DIN 5482 B 17 x 14 Z = 9 Ø 16,5 mm

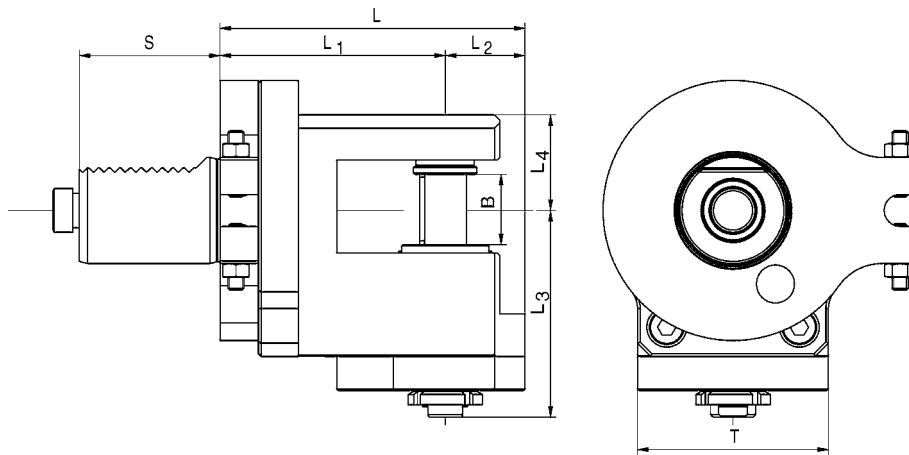
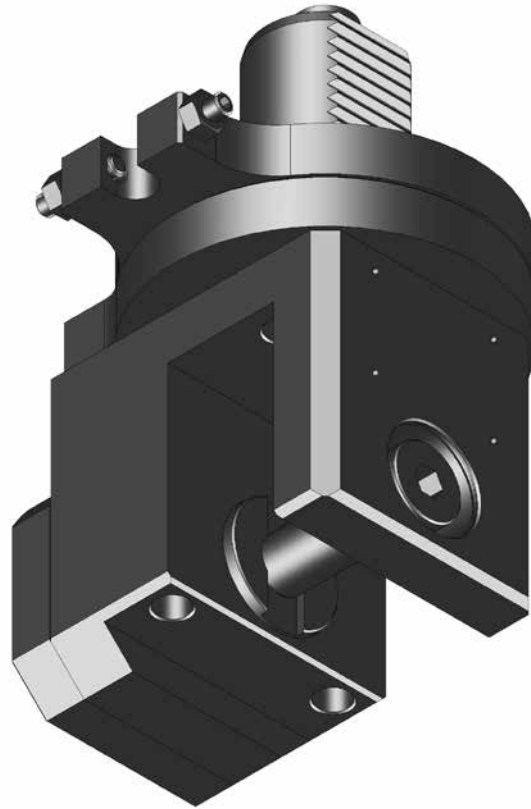


13

Order No.	Tool holder	Clamping range mm	Torque max.	n1/n2 (max.) (r.p.m.)	Gear Ratio	Coolant	L mm	L1 mm	L2 mm	B mm	S mm	T mm	Rotating direction
125009	ER 16	0,5-10	6 Nm	6.500 / 6.500	i = 1:1	external	134,5	73,5	61	92	53	90	↻ ↻

# Saw Blade Holder

for Turret Manufacturer	
<b>SAUTER</b>	
with Drive	
<b>DIN 5482 (B 17 x 14)</b>	
Dimensions	
Turret type	Disc-type Turret
Shank	VDI 40
Drive	DIN 5482 B 17 x 14 Z = 9 Ø 16,5 mm



Order No.	Fitting dia.mm	Torque max.	n1/n2 (max.) (r.p.m.)	Gear Ratio	Coolant	L mm	L1 mm	L2 mm	L3 mm	L4 mm	B mm	S mm	T mm
125087*	22	20 Nm	6.500 / 2.450	i = 2,66:1	external	115	85	30	77,5	36	25	53	72
101810**	22	40 Nm	6.500 / 2.450	i = 2,66:1	external	130	95	35	87,5	36	25	53	72

**BLUECOMPETENCE**

Alliance Member

Partner of the Engineering Industry  
Sustainability Initiative



Picture shows a Y-axis live tool with an adjustment range of  $\pm 50$  mm in Y-axis.





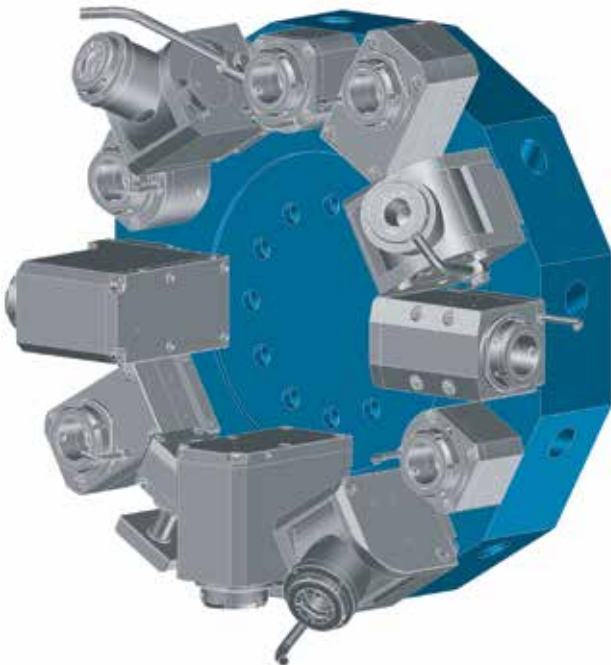
**DIN 5482 (B 20 x 17)**

**Data**

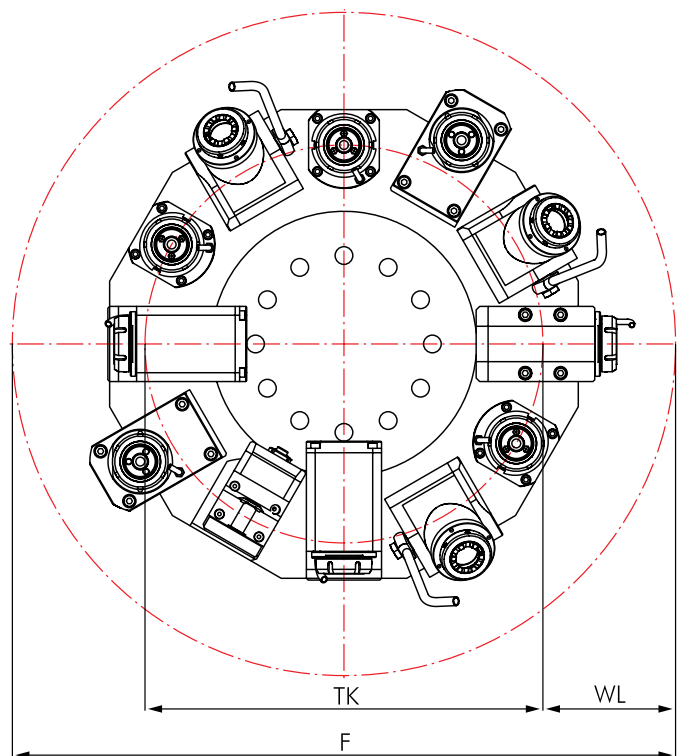
Disc-type Turret	Turret Stations
<b>Drive</b>	<b>DIN 5482 (B 20 x 17)</b>



**Disc-type Turret VDI 50**

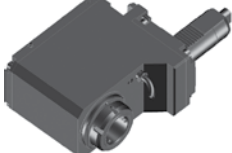


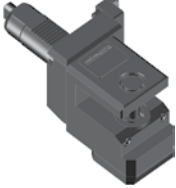


**Interference Circles**



The interference circles are depending on your CNC machine. You can find it in your machine instruction manuals.

## Live Tools

Page		Page	
	<b>Straight Unit</b>		388
	<b>Angle Unit, Offset Type</b>		390
	<b>Angle Unit</b>		389
	<b>Angle Unit, adjustable 0-90°</b>		391
	<b>Saw Blade Holder</b>		392

## Options and Accessories

<b>mi Toolholders</b>		mi System Description Toolholders Accessories	471 473-477 478-479
<b>Standard VDI Toolholders</b>		VDI Toolholders Accessories	518-524 525-531
<b>Accessories</b>		Collets DIN 6499 Threading Collets Wrenches Clamping Nuts Sleeves and Bushings	526-527 528-529 525 525 531



### Delivery information

Driven toolholders with mi quick-change interface are supplied with operating wrench (see spare parts on page 479).  
Driven toolholders with other interfaces are supplied without clamping wrench (see accessories on page 525).

# Straight Unit

Connectable in accordance with **BLUECOMPETENCE** » mimatic mi » PolyMILL » TriMILL » TrioCut » PolyREAM

for Turret Manufacturer

**SAUTER**

with Drive

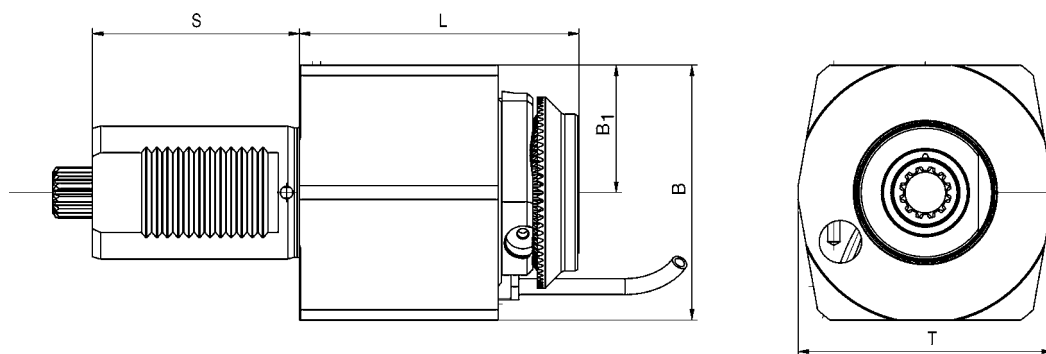
**DIN 5482 (B 20 x 17)**

Dimensions

Revolver type	Disc-type Turret
Shank	VDI 50
Drive	DIN 5482 B 20 x 17 Z = 12 Ø 19,5 mm

Modular Interfaces

**mimaticMi**  
**HydroFLEX**



Order No.	Tool holder	Clamping range mm	Torque max.	n1/n2 (max.) (r.p.m.)	Gear Ratio	Coolant	L mm	B mm	B1 mm	S mm	T mm	Rotating direction
123815	ER 32	1,0-20	80 Nm	6.000 / 6.000	i = 1:1	external	86,0	96	48	78	96	↺ ↻
124188	ER 32*	1,0-20	80 Nm	5.200 / 5.200	i = 1:1	internal	86,0	96	48	78	96	↺ ↻
124191	mi 50	-	80 Nm	6.000 / 6.000	i = 1:1	internal	105,5	96	48	78	96	↺ ↻
124180	Hydro-Flex 20	6,0-20	80 Nm	6.000 / 6.000	i = 1:1	internal	104,0	96	48	78	96	↺ ↻

# Angle Unit

Connectable in accordance with **BLUECOMPETENCE** » mimatic mi » PolyMILL » TriMILL » TrioCut » PolyREAM

for Turret Manufacturer

**SAUTER**

with Drive

**DIN 5482 (B 20 x 17)**

Dimensions

Revolver type      Disc-type Turret  
Shank                VDI 50  
Drive                 DIN 5482  
                          B 20 x 17  
                          Z = 12  
                          Ø 19,5 mm

Modular Interfaces

**mimaticMi**  
**HydroFLEX**

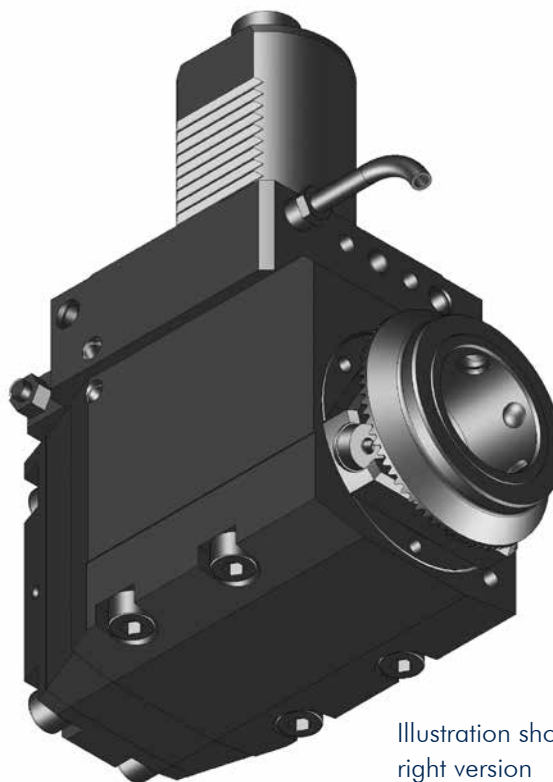
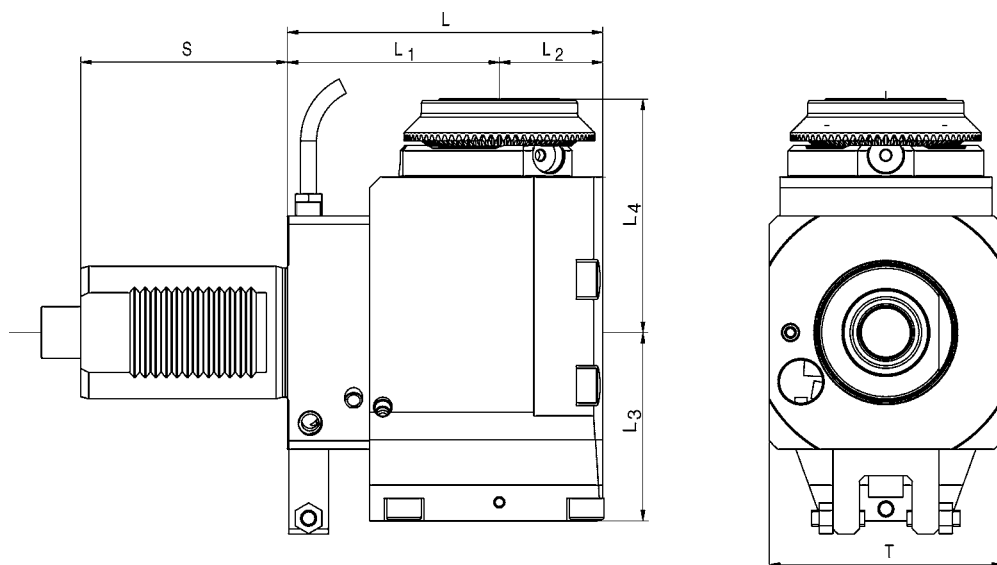


Illustration show right version



13

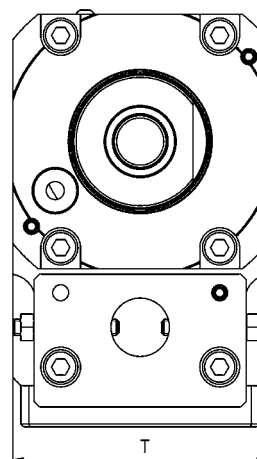
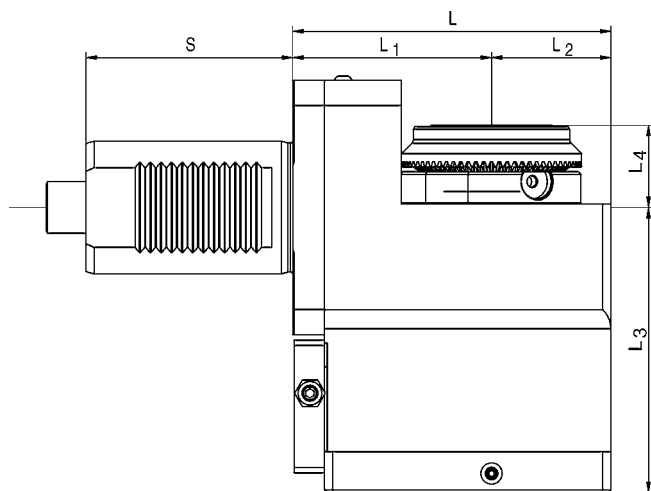
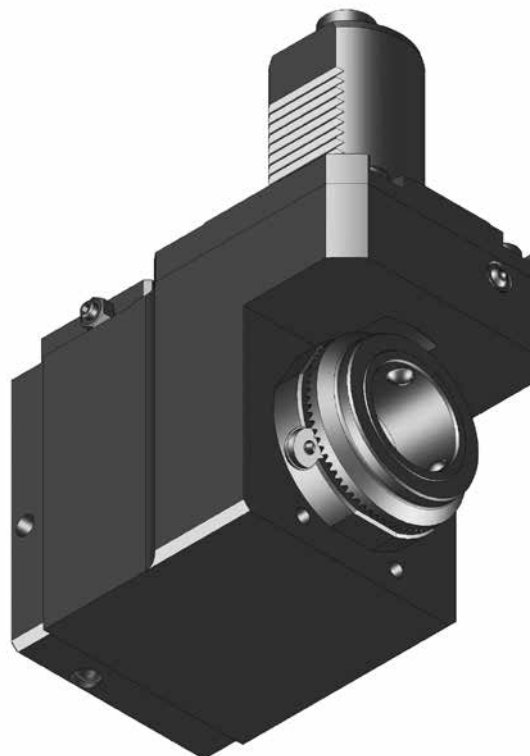
Order No.	Tool holder	Clamping range mm	Torque max.	n1/n2 (max.) (r.p.m.)	Gear Ratio	Coolant	L mm	L1 mm	L2 mm	L3 mm	L4 mm	S mm	T mm	Rotating direction
124532	ER 32	1,0-20	80 Nm	5.200 / 5.200	i = 1:1	external	119	80	39	69,0	70	78	88	↺ ↻
124818	ER 32*	1,0-20	80 Nm	5.200 / 5.200	i = 1:1	internal	119	80	39	75,5	70	78	88	↺ ↻
124819	mi 50	-	80 Nm	6.500 / 6.500	i = 1:1	internal	123	80	43	75,5	88	78	88	↺ ↻
101443	Hydro-Flex 20	6,0-20	50 Nm	6.000 / 6.000	i = 1:1	internal	119	80	39	75,5	85	78	88	↺ ↻
Left version:														
171907	Hydro-Flex 20	6,0-20	50 Nm	6.000 / 6.000	i = 1:1	internal	119	80	39	75,5	85	78	88	↻ ↺
124820	mi 50	-	50 Nm	6.500 / 6.500	i = 1:1	internal	123	80	43	75,5	88	78	88	↻ ↺

\* With clamping nuts with sealing, seals see page 530

# Angle Unit, Offset Type

Connectable accessories with **BLUECOMPETENCE** » mimatic mi » PolyMILL » TriMILL » TrioCut » PolyREAM

for Turret Manufacturer	
<b>SAUTER</b>	
with Drive	
<b>DIN 5482 (B 20 x 17)</b>	
Dimensions	
Revolver type	Disc-type Turret
Shank	VDI 50
Drive	DIN 5482 B 20 x 17 Z = 12 Ø 19,5 mm
Modular Interfaces	
<b>mimaticMi</b>	

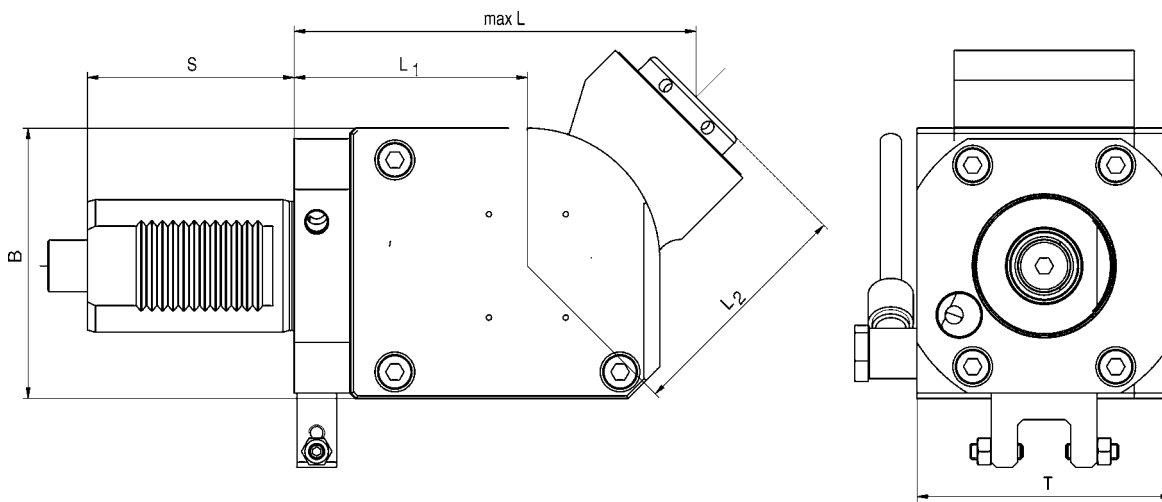
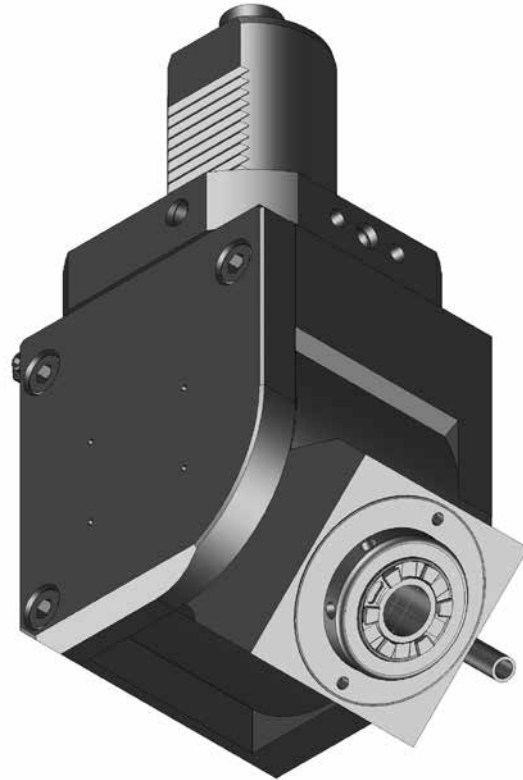


Order No.	Tool holder	Clamping range mm	Torque max.	n1/n2 (max.) (r.p.m.)	Gear Ratio	Coolant	L mm	L1 mm	L2 mm	L3 mm	L4 mm	S mm	T mm	Rotating direction
124745	ER 32	1,0-20	80 Nm	4.000 / 4.000	i = 1:1	external	112	70	42	111,0	20	78	84	↺ ↻
124414	ER 32*	1,0-20	80 Nm	4.000 / 4.000	i = 1:1	internal	112	70	42	111,0	20	78	84	↻ ↺
124415	mi 50	-	100 Nm	4.000 / 4.000	i = 1:1	internal	120	75	45	107,5	31	78	96	↻ ↺

# Angle Unit, Adjustable 0-90°

Connectable in accordance with BLUECOMPETENCE » PolyMILL » TriMILL » PolyREAM

for Turret Manufacturer	
<b>SAUTER</b>	
with Drive	
<b>DIN 5482 (B 20 x 17)</b>	
Dimensions	
Revolver type	Disc-type Turret
Shank	VDI 50
Drive	DIN 5482 B 20 x 17 Z = 12 Ø 19,5 mm

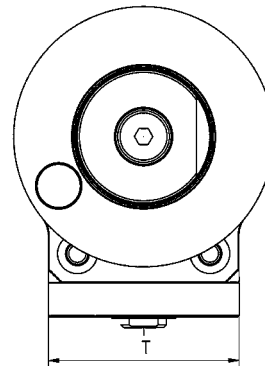
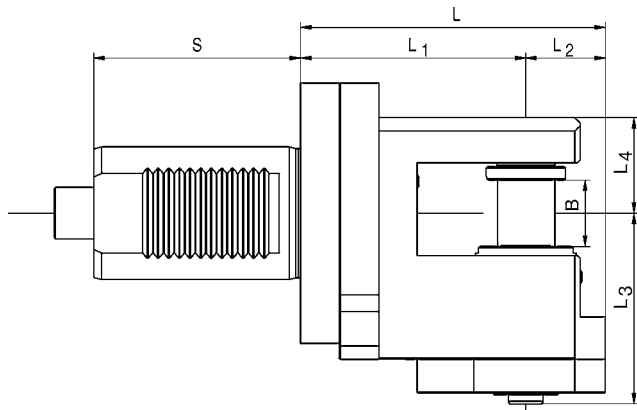


13

Order No.	Tool holder	Clamping range mm	Torque max.	n1/n2 (max.) (r.p.m.)	Gear Ratio	Coolant	L mm	L1 mm	L2 mm	B mm	S mm	T mm	Rotating direction
101715	ER 25	0,5-16	35 Nm	6.500 / 6.500	i = 1:1	external	178	88	90	102	78	96	↻ ↺

# Saw Blade Holder

for Turret Manufacturer	
<b>SAUTER</b>	
with Drive	
<b>DIN 5482 (B 20 x 17)</b>	
Dimensions	
Turret type	Disc-type Turret
Shank	VDI 50
Drive	DIN 5482 B 20 x 17 Z = 12 Ø 19,5 mm



Order No.	Fitting dia. mm	Torque max.	n1/n2 (max.) (r.p.m.)	Gear Ratio	Coolant	L mm	L1 mm	L2 mm	L3 mm	L4 mm	B mm	S mm	T mm
101812*	22	40 Nm	6.500 / 2.450	i = 2,66:1	external	130	95	35	87,5	36	25	78	72

BLUECOMPETENCE

Alliance Member

Partner of the Engineering Industry  
Sustainability Initiative



Picture shows a 90° angle head with ER 32 collet





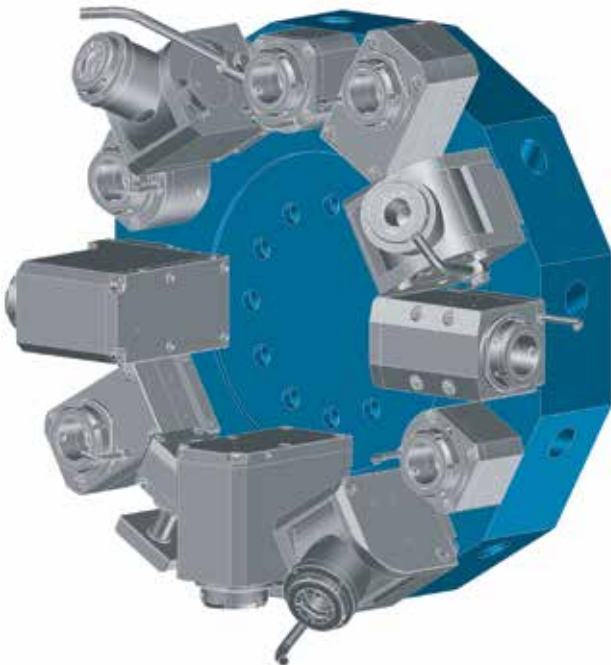
**DIN 5482 (B 25 x 22)**

**Data**

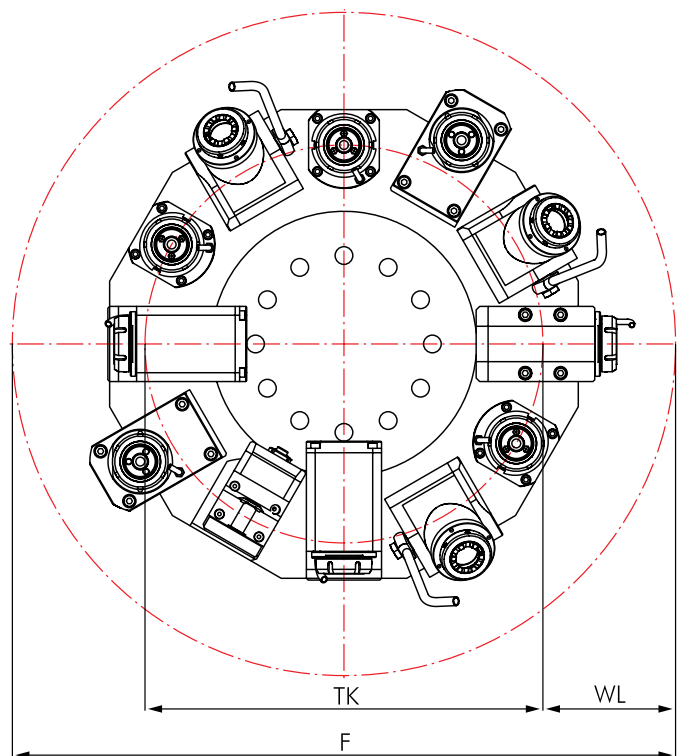
Disc-type Turret	Turret Stations
<b>Drive</b>	<b>DIN 5482 (B 25 x 22)</b>



**Disc-type Turret VDI 60**






**Interference Circles**



The interference circles are depending on your CNC machine. You can find it in your machine instruction manuals.

## Live Tools

Page		Page
	<p><b>Straight Unit</b></p>  <p>396</p>	<p><b>Angle Unit, adjustable 0-100°</b></p>  <p>398</p>
	<p><b>Angle Unit</b></p>  <p>397</p>	

## Options and Accessories

<p><b>mi Toolholders</b></p> 	<p>mi System Description 471 Toolholders 473-477 Accessories 478-479</p>
<p><b>Standard VDI Toolholders</b></p> 	<p>VDI Toolholders 518-524 Accessories 525-531</p>
<p><b>Accessories</b></p> 	<p>Collets DIN 6499 526-527 Threading Collets 528-529 Wrenches 525 Clamping Nuts 525 Sleeves and Bushings 531</p>



### Delivery information

Driven toolholders with mi quick-change interface are supplied with operating wrench (see spare parts on page 479).  
Driven toolholders with other interfaces are supplied without clamping wrench (see accessories on page 525).

# Straight Unit

Compatible accessories with **BLUECOMPETENCE** » mimatic mi » PolyMILL » TriMILL » TrioCut » PolyREAM

for Turret Manufacturer

**SAUTER**

with Drive

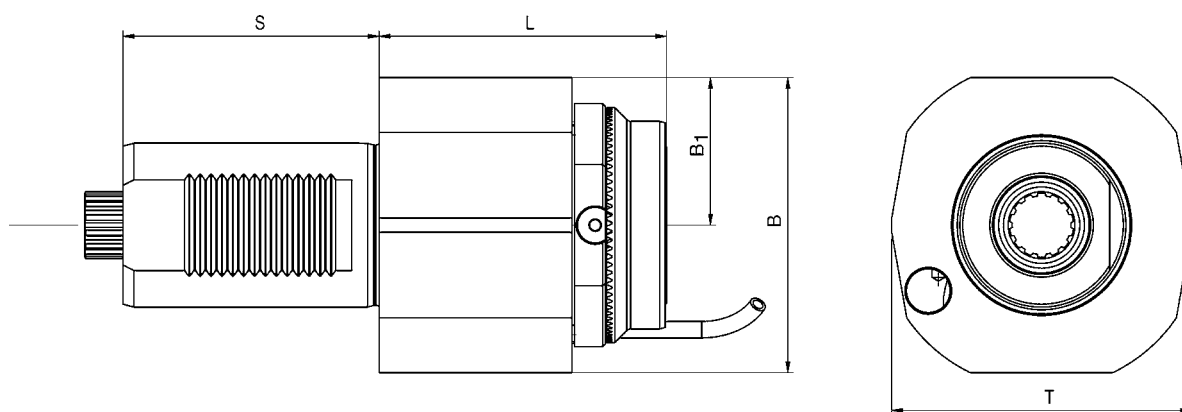
**DIN 5482 (B 25 x 22)**

Dimensions

Revolver type      Disc-type Turret  
Shank                VDI 60  
Drive                 DIN 5482  
                          B 25 x 22  
                          Z = 14  
                          Ø 24,5 mm

Modular Interfaces

**mimaticMi**



Order No.	Tool holder	Clamping range mm	Torque max.	n1/n2 (max.) (r.p.m.)	Gear Ratio	Coolant	L mm	B mm	B1 mm	S mm	T mm	Rotating direction
123820	ER 40	3,0-26	140 Nm	4.000 / 4.000	i = 1:1	external	118,0	108	54	94	104	↻ ↻
124204	ER 40	3,0-26	140 Nm	4.000 / 4.000	i = 1:1	internal	123,0	106	52	94	96	↻ ↻
124206	mi 63	-	140 Nm	4.000 / 4.000	i = 1:1	internal	105,5	108	54	94	110	↻ ↻

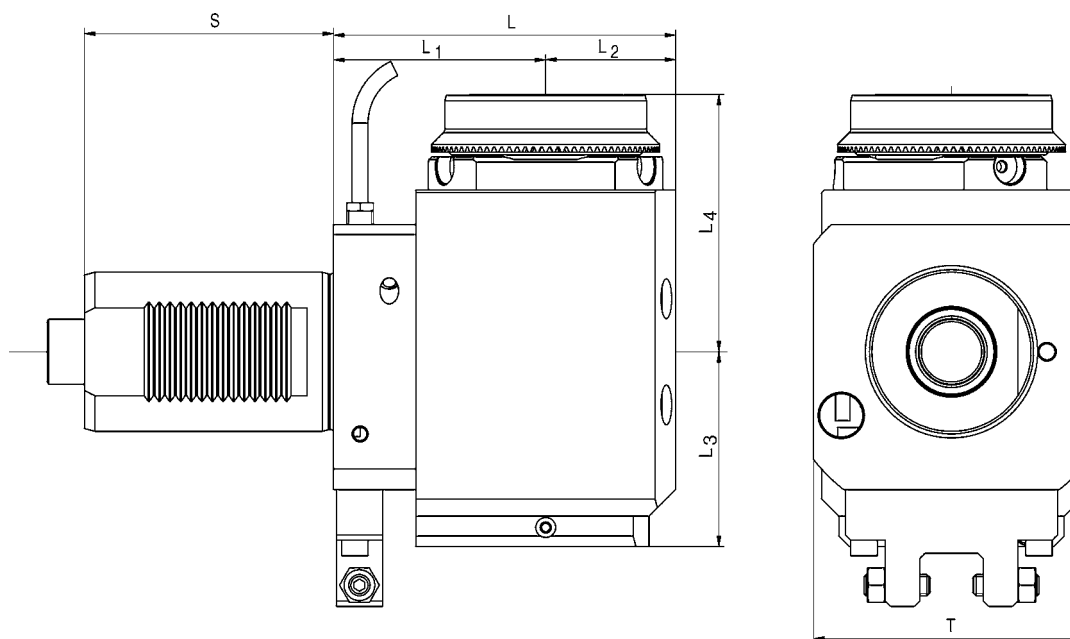
# Angle Unit

Connectible accessories with **BLUECOMPETENCE** » mimatic mi » PolyMILL » TriMILL » TrioCut » PolyREAM

for Turret Manufacturer	
<b>SAUTER</b>	
with Drive	
<b>DIN 5482 (B 25 x 22)</b>	
Dimensions	
Revolver type	Disc-type Turret
Shank	VDI 60
Drive	DIN 5482 B 25 x 22 Z = 14 Ø 24,5 mm
Modular Interfaces	
<b>mimaticMi</b>	



Illustration shows right version



13

Order No.	Tool holder	Clamping range mm	Torque max.	n1/n2 (max.) (r.p.m.)	Gear Ratio	Coolant	L mm	L1 mm	L2 mm	L3 mm	L4 mm	S mm	T mm	Rotating direction
124537	ER 40	3,0-26	80 Nm	5.200 / 5.200	i = 1:1	external	135	85	50	69,0	107,5	94	100	↺ ↻
101453	ER 40*	3,0-26	80 Nm	6.000 / 6.000	i = 1:1	internal	129	80	49	73,5	107,5	94	100	↻ ↺
124823	mi 63	-	80 Nm	4.000 / 4.000	i = 1:1	internal	130	80	50	73,5	97,0	94	105	↺ ↻
Left version:														
133738	mi 63*	-	80 Nm	4.000 / 4.000	i = 1:1	internal	130	80	50	73,5	97,0	94	102	↻ ↺

\* With clamping nuts with sealing, seals see page 530

# Angle Unit, Adjustable 0-100°

Connectable in accordance with  
**BLUECOMPETENCE** » PolyMILL » TriMILL » PolyREAM

for Turret Manufacturer	
<b>SAUTER</b>	
with Drive	
<b>DIN 5482 (B 25 x 22)</b>	
Dimensions	
Revolver type	Disc-type Turret
Shank	VDI 60
Drive	DIN 5482 B 25 x 22 Z = 14 Ø 24,5 mm

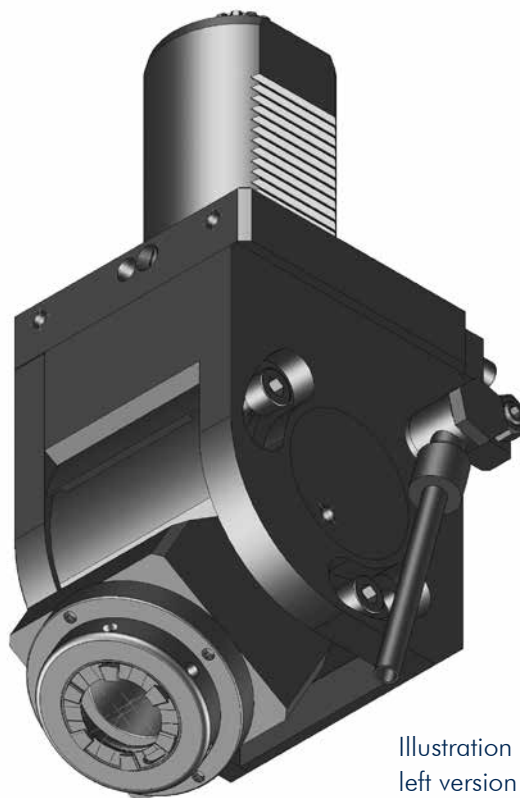
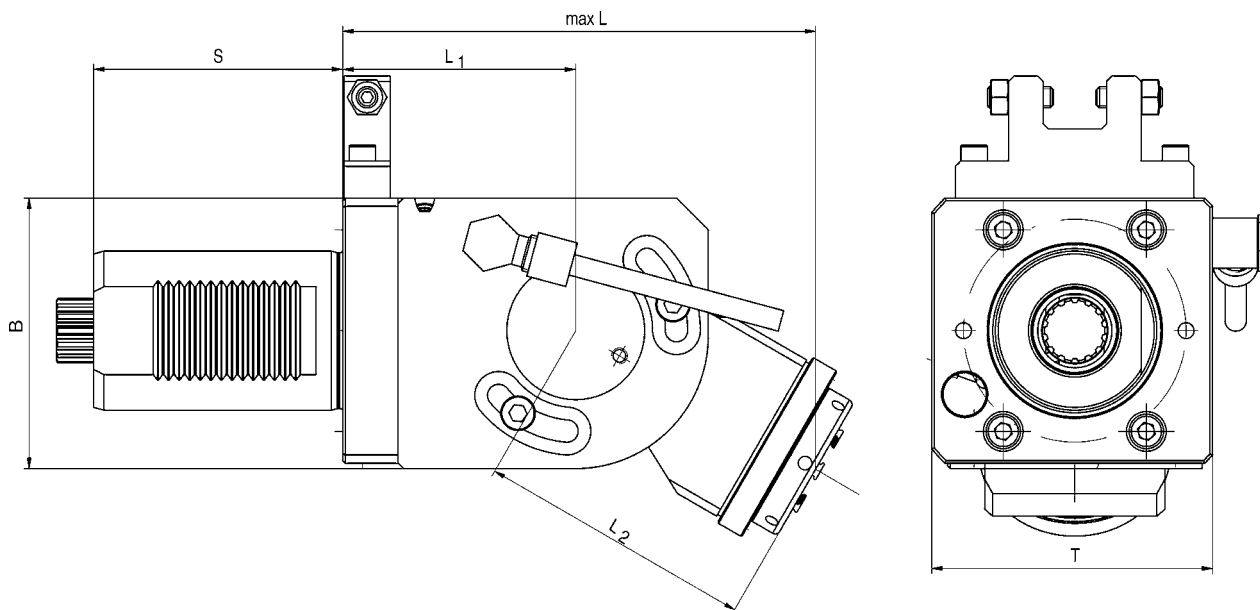


Illustration shows left version



Order No.	Tool holder	Clamping range mm	Torque max.	n1/n2 (max.) (r.p.m.)	Gear Ratio	Coolant	L mm	L1 mm	L2 mm	B mm	S mm	T mm	Rotating direction
<b>Right version:</b>													
175813	ER 32	1,0-20	35 Nm	6.000 / 6.000	i = 1:1	external	192,5	88	104,5	106	94	106	↻ ↻
<b>Left version:</b>													
169310	ER 32	1,0-20	35 Nm	6.000 / 6.000	i = 1:1	external	192,5	88	104,5	106	94	106	↻ ↻

**BLUECOMPETENCE**

Alliance Member

Partner of the Engineering Industry  
Sustainability Initiative



Picture shows a straight unit with ER 25 collet

**SAUTER**

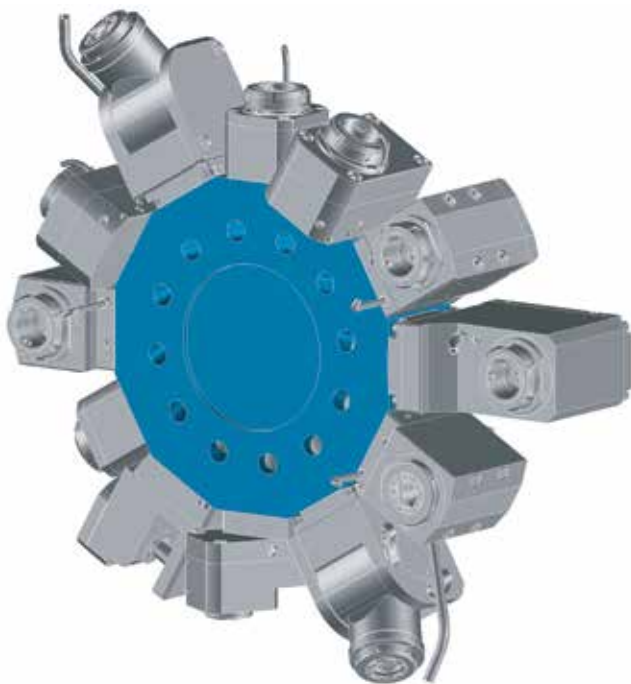
**DIN 5480 (W 16 x 0,8 x 30 x 18 / 9b)**

**Data**

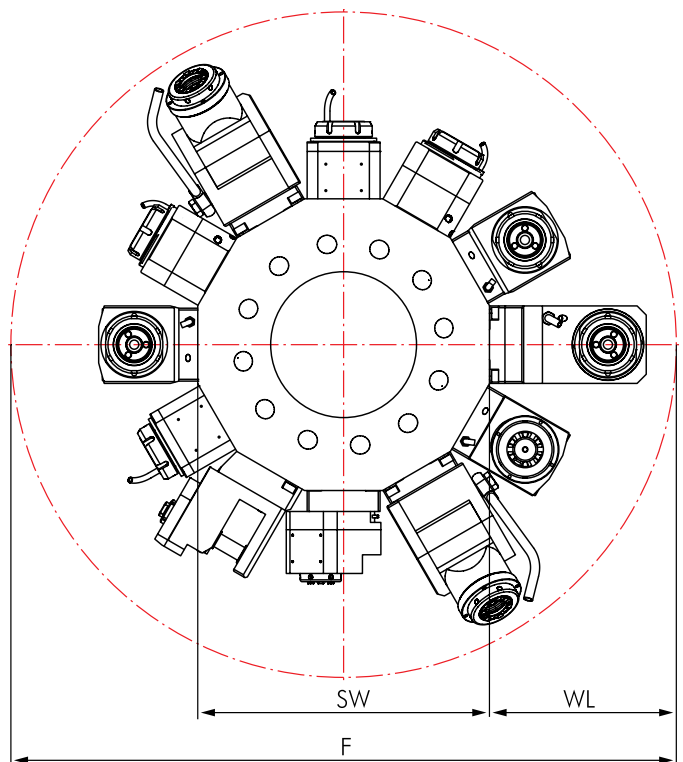
Star-type Turret	Turret Stations
<b>Drive</b>	<b>DIN 5480 (W16x0,8x30x18/9b)</b>



**Star-type Turret VDI 30**



**Interference Circles**



The interference circles are depending on your CNC machine. You can find it in your machine instruction manuals.



**DIN 5480 (W 16 x 0,8 x 30 x 18 / 9b)**

**Live Tools**

Connectible in accordance with **BLUECOMPETENCE** » mimatic mi » PolyMILL » TriMILL » TrioCut » PolyREAM

	Page		Page
<b>Straight Unit</b>	402	<b>Angle Unit, 2-Axis</b>	407
<b>Angle Unit</b>	403-404	<b>Angle Unit, adjustable 0-100°</b>	408
<b>Angle Unit, Offset Type</b>	405-406	<b>Saw Blade Holder</b>	409

**Options and Accessories**

<b>mi Toolholders</b>		mi System Description Toolholders Accessories	471 473-477 478-479
<b>Static Toolholders for SAUTER</b>		Static Toolholders Accessories	511-515 516
<b>Accessories</b>		Collets DIN 6499 Threading Collets Wrenches Clamping Nuts Sleeves and Bushings	526-527 528-529 525 525 531



**Delivery information**

Driven toolholders with mi quick-change interface are supplied with operating wrench (see spare parts on page 479).  
Driven toolholders with other interfaces are supplied without clamping wrench (see accessories on page 525).



# Straight Unit

Connectable in accordance with **BLUECOMPETENCE** » mimatic mi » PolyMILL » TriMILL » TrioCut » PolyREAM

for Turret Manufacturer

**SAUTER**

with Drive

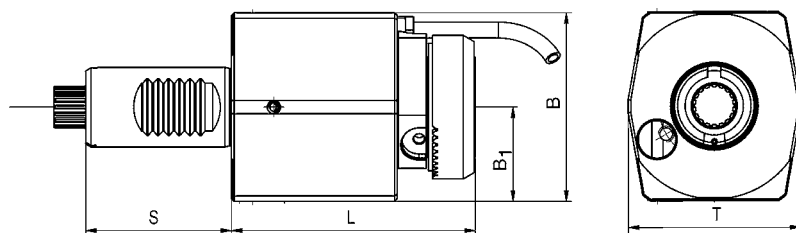
**DIN 5480**  
**(W 16 x 0,8 x 30 x 18 / 9b)**

Dimensions

Revolver type      Star-type Turret  
Shank                VDI 30  
Drive                 DIN 5480  
                          with spindle orientation  
                          detent  
                          W 16x0,8x30x18 / 9b  
                          Ø 15,9 mm

Modular Interfaces

**mimaticMi**

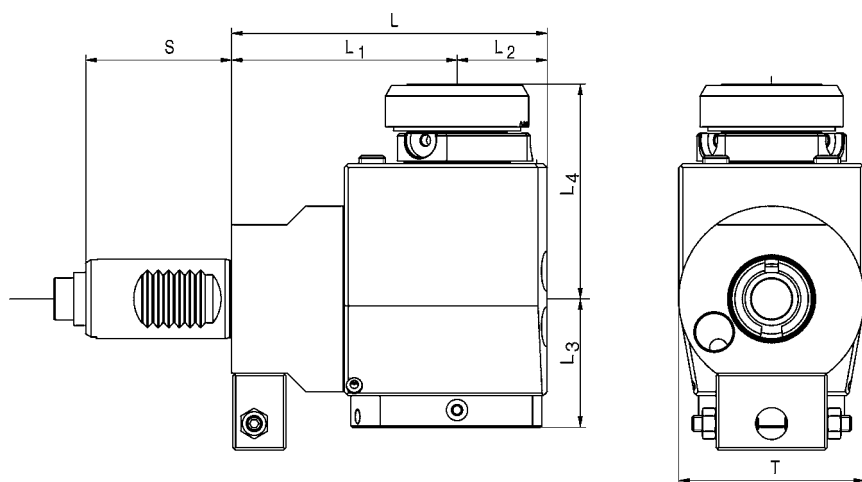
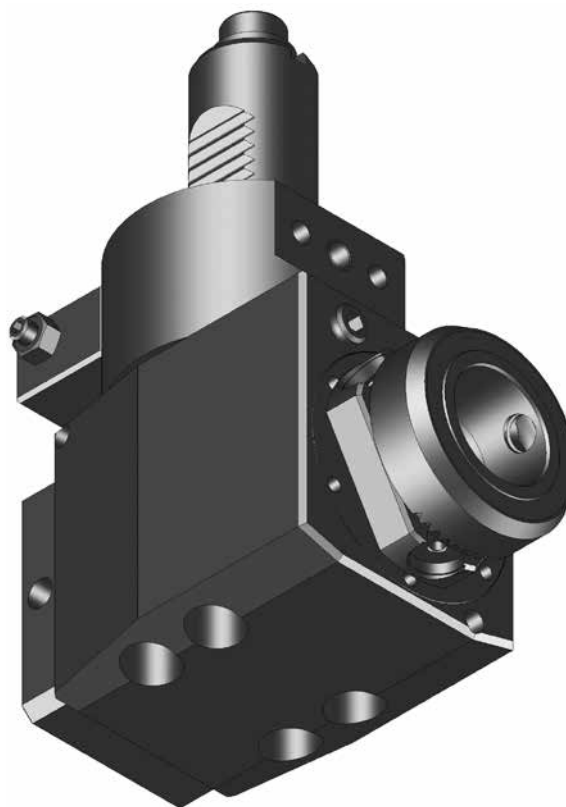


Order No.	Tool holder	Clamping range mm	Torque max.	n1/n2 (max.) (r.p.m.)	Gear Ratio	Coolant	L mm	B mm	B1 mm	S mm	T mm	Rotating direction
133756	ER 25	0,5-16	40 Nm	6.500 / 6.500	i = 1:1	external	73	71	35	55	65	↺ ↻
133736	ER 25*	0,5-16	40 Nm	6.500 / 6.500	i = 1:1	internal	73	71	35	55	65	↺ ↻
133762	mi 40	-	40 Nm	6.500 / 6.500	i = 1:1	internal	92	71	35	55	65	↺ ↻

# Angle Unit, Right-hand Version

Compatible accessories with **BLUECOMPETENCE** » mimatic mi » PolyMILL » TriMILL » TrioCut » PolyREAM

for Turret Manufacturer	
<b>SAUTER</b>	
with Drive	
<b>DIN 5480</b> <b>(W 16 x 0,8 x 30 x 18 / 9b)</b>	
Dimensions	
Revolver type	Star-type Turret
Shank	VDI 30
Drive	DIN 5480 with spindle orientation detent W 16 x 0,8 x 30 x 18 / 9b Ø 15,9 mm
Modular Interfaces	
<b>mimaticMi</b>	



13

Order No.	Tool holder	Clamping range mm	Torque max.	n1/n2 (max.) (r.p.m.)	Gear Ratio	Coolant	L mm	L1 mm	L2 mm	L3 mm	L4 mm	S mm	T mm	Rotating direction
103554	ER 25	0,5-16	25 Nm	6.500 / 6.500	i = 1:1	external	89	55	34	36,5	60,0	55	70	↺ ↻
103536	ER 25*	0,5-16	25 Nm	6.500 / 6.500	i = 1:1	internal	89	55	34	36,5	60,0	55	70	↻ ↺
168443	ER 25*	0,5-16	20 Nm	6.000 / 12.000	i = 1:2	internal	90	55	35	62,0	72,5	55	70	↻ ↺
171413**	ER 25	0,5-16	25 Nm	6.500 / 6.500	i = 1:1	external	119	85	34	36,5	60,0	55	70	↻ ↺
133739**	ER 25*	0,5-16	25 Nm	6.500 / 6.500	i = 1:1	internal	119	85	34	36,5	60,0	55	70	↺ ↻
133733**	mi 40	-	25 Nm	6.500 / 6.500	i = 1:1	internal	119	85	34	48,5	81,0	55	70	↻ ↺
133771**	ER 25	0,5-16	25 Nm	6.500 / 6.500	i = 1:1	external	134	100	34	36,5	60,0	55	70	↻ ↺
133772**	ER 25*	0,5-16	25 Nm	6.500 / 6.500	i = 1:1	internal	134	100	34	36,5	60,0	55	70	↻ ↺
133764**	mi 40	-	25 Nm	6.500 / 6.500	i = 1:1	internal	134	100	34	48,5	81,0	55	70	↻ ↺

\* With clamping nuts with sealing, seals see page 530

\*\* on request with precision adjustable unit

# Angle Unit, Left-hand Version

Connectable in accordance with **BLUECOMPETENCE** » mimatic mi » PolyMILL » TriMILL » TrioCut » PolyREAM

for Turret Manufacturer

**SAUTER**

with Drive

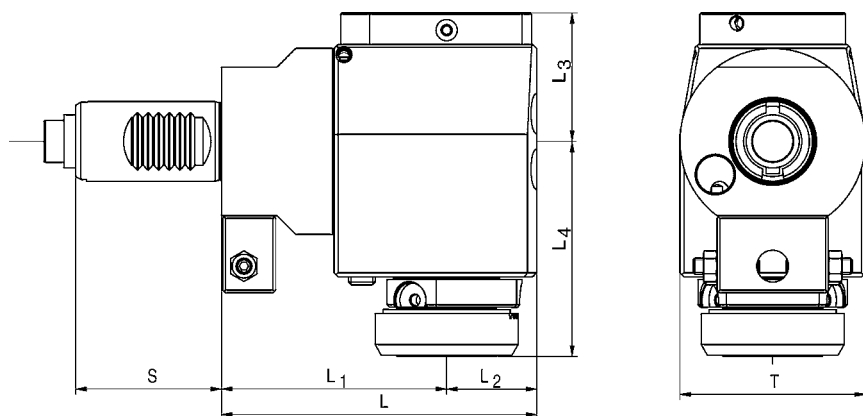
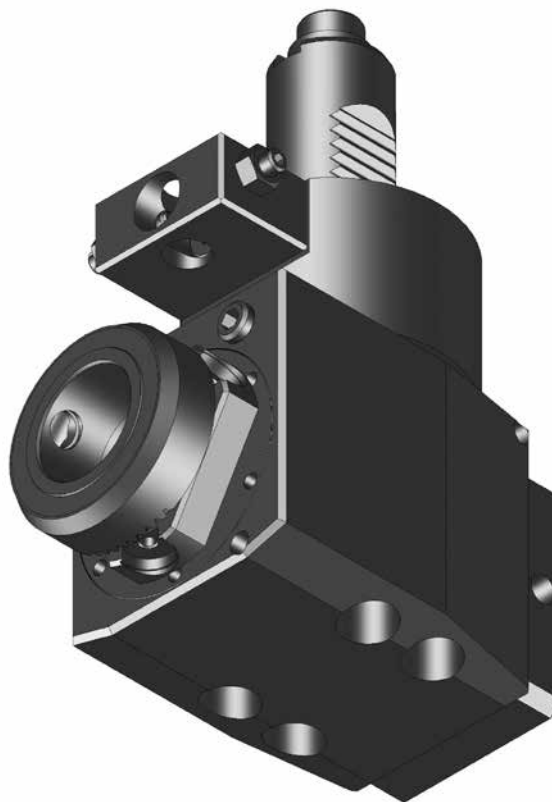
**DIN 5480**  
**(W 16 x 0,8 x 30 x 18 / 9b)**

Dimensions

Revolver type      Star-type Turret  
Shank                VDI 30  
Drive                 DIN 5480  
                          with spindle orientation  
                          detent  
                          W 16 x 0,8 x 30 x 18 / 9b  
                          Ø 15,9 mm

Modular Interfaces

**mimaticMi**



Order No.	Tool holder	Clamping range mm	Torque max.	n1/n2 (max.) (r.p.m.)	Gear Ratio	Coolant	L mm	L1 mm	L2 mm	L3 mm	L4 mm	S mm	T mm	Rotating direction
103545	ER 25	0,5-16	25 Nm	6.500 / 6.500	i = 1:1	external	89	55	34	36,5	60,0	55	70	↺ ↻
103515	ER 25*	0,5-16	25 Nm	6.500 / 6.500	i = 1:1	internal	89	55	34	36,5	60,0	55	70	↺ ↻
133730**	ER 25	0,5-16	25 Nm	6.500 / 6.500	i = 1:1	external	119	85	34	36,5	60,0	55	70	↺ ↻
133731**	ER 25*	0,5-16	25 Nm	6.500 / 6.500	i = 1:1	internal	119	85	34	36,5	60,0	55	70	↺ ↻
133732**	mi 40	-	25 Nm	6.500 / 6.500	i = 1:1	internal	119	85	34	48,4	81,0	55	70	↺ ↻
168324	ER 25	0,5-16	20 Nm	6.000 / 12.000	i = 1:2	external	120	85	95	62,0	72,5	55	70	↺ ↻
168444	ER 25*	0,5-16	20 Nm	6.000 / 12.000	i = 1:2	internal	135	85	35	62,0	72,5	55	70	↺ ↻
133766**	mi 40	-	25 Nm	6.500 / 6.500	i = 1:1	external	134	100	34	48,0	81,0	55	70	↺ ↻
103507**	ER 25	0,5-16	25 Nm	6.500 / 6.500	i = 1:1	internal	134	100	34	36,5	60,0	55	70	↺ ↻
133747**	ER 25*	0,5-16	25 Nm	6.500 / 6.500	i = 1:1	external	134	100	34	36,5	60,0	55	70	↺ ↻
168325	ER 25	0,5-16	20 Nm	6.000 / 12.000	i = 1:2	internal	135	100	35	62,0	72,5	55	70	↺ ↻
168445	ER 25*	0,5-16	20 Nm	6.000 / 12.000	i = 1:2	internal	135	100	35	62,0	72,5	55	70	↺ ↻

# Angle Unit, Offset Type, Right-hand Version

Connectible in accordance with **BLUECOMPETENCE** » mimatic mi » PolyMILL » TriMILL » TrioCut » PolyREAM

for Turret Manufacturer



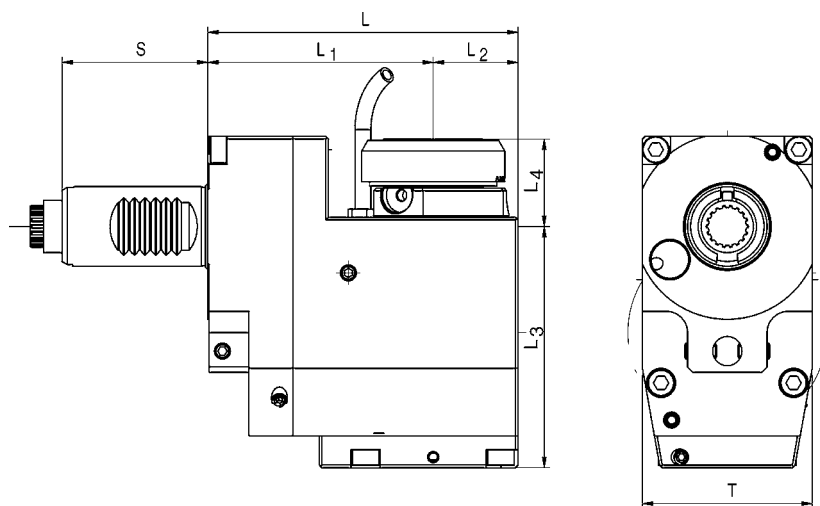
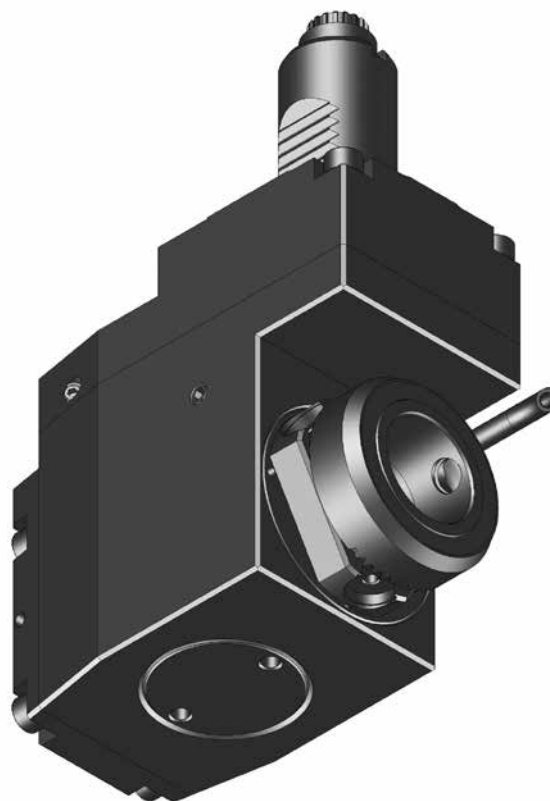
with Drive

**DIN 5480**  
**(W 16 x 0,8 x 30 x 18 / 9b)**

Dimensions

Revolver type	Star-type Turret
Shank	VDI 30
Drive	DIN 5480 with spindle orientation detent W 16 x 0,8 x 30 x 18 / 9b Ø 15,9 mm

Modular Interfaces

13

Order No.	Tool holder	Clamping range mm	Torque max.	n1/n2 (max.) (r.p.m.)	Gear Ratio	Coolant	L mm	L1 mm	L2 mm	L3 mm	L4 mm	S mm	T mm	Rotating direction
103539	ER 25	0,5-16	25 Nm	6.500 / 6.500	i = 1:1	external	117	85	32	91	15	55	64	↻ ↻
103555	ER 25*	0,5-16	25 Nm	6.500 / 6.500	i = 1:1	internal	117	85	32	91	15	55	64	↻ ↻
169187	mi 40	-	25 Nm	6.500 / 6.500	i = 1:1	internal	117	85	32	91	33	55	64	↻ ↻
103546	ER 25	0,5-16	25 Nm	6.500 / 6.500	i = 1:1	external	132	100	32	91	15	55	64	↻ ↻
103547	ER 25*	0,5-16	25 Nm	6.500 / 6.500	i = 1:1	internal	132	100	32	91	15	55	64	↻ ↻

\* With clamping nuts with sealing, seals see page 530

# Angle Unit, Offset Type, Left-hand Version

Connectable accessories with **BLUECOMPETENCE** » mimatic mi » PolyMILL » TriMILL » TrioCut » PolyREAM

for Turret Manufacturer

**SAUTER**

with Drive

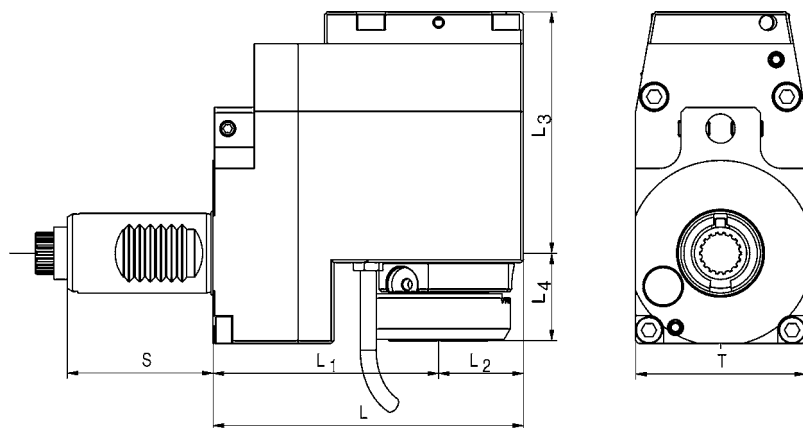
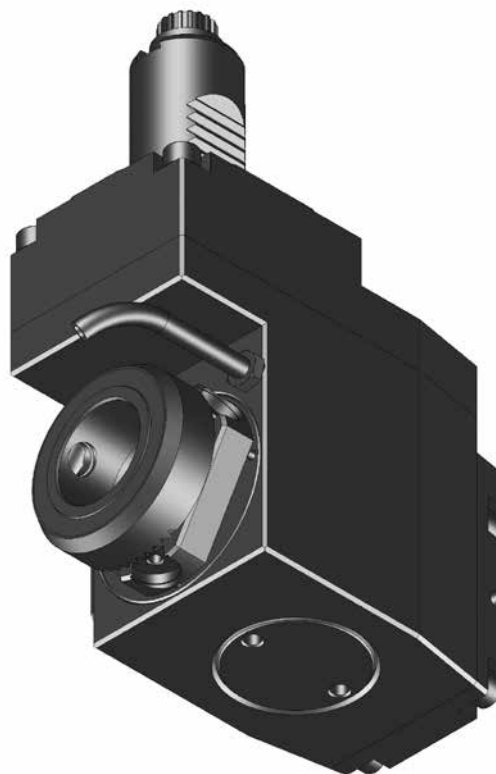
**DIN 5480**  
**(W 16 x 0,8 x 30 x 18 / 9b)**

Dimensions

Revolver type	Star-type Turret
Shank	VDI 30
Drive	DIN 5480 with spindle orientation detent W 16 x 0,8 x 30 x 18 / 9b Ø 15,9 mm

Modular Interfaces

**mimaticMi**

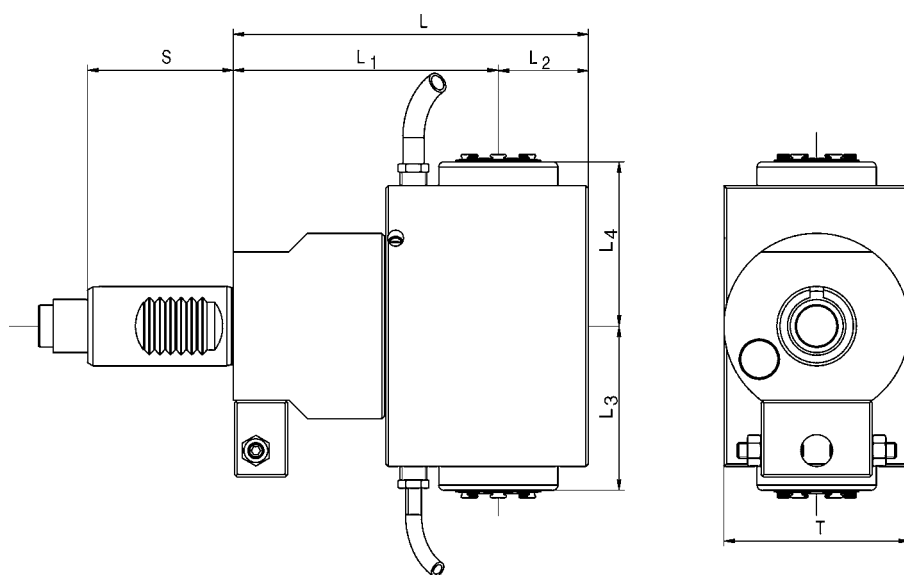
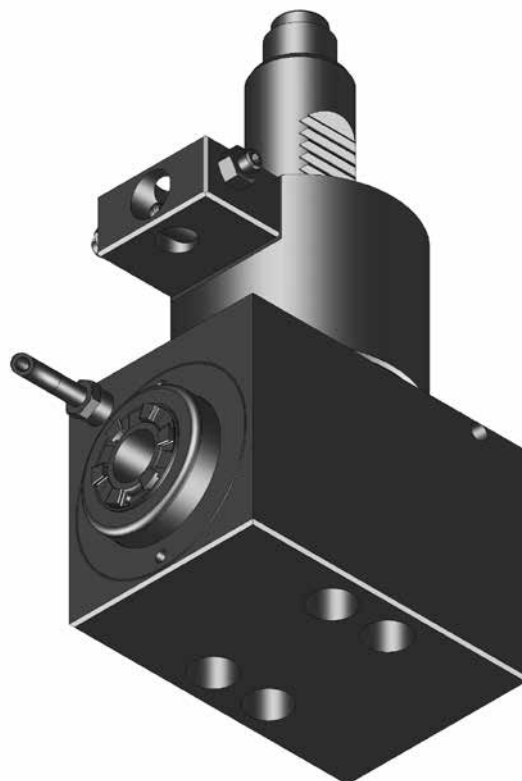


Order No.	Tool holder	Clamping range mm	Torque max.	n1/n2 (max.) (r.p.m.)	Gear Ratio	Coolant	L mm	L1 mm	L2 mm	L3 mm	L4 mm	S mm	T mm	Rotating direction
103526	ER 25	0,5-16	25 Nm	6.500 / 6.500	i = 1:1	external	117	85	32	91	20	55	64	↺ ↻
103565	ER 25*	0,5-16	25 Nm	6.500 / 6.500	i = 1:1	internal	117	85	32	91	20	55	64	↻ ↺
169191	mi 40	-	25 Nm	6.500 / 6.500	i = 1:1	internal	117	85	32	91	33	55	64	↻ ↺
103551	ER 25	0,5-16	25 Nm	6.500 / 6.500	i = 1:1	external	132	100	32	91	20	55	64	↺ ↻
103517	ER 25*	0,5-16	25 Nm	6.500 / 6.500	i = 1:1	internal	132	100	32	91	20	55	64	↻ ↺

## Angle Unit, 2-Axis

Connectable in accordance with **BLUECOMPETENCE** » PolyMILL » TriMILL » TrioCut » PolyREAM

for Turret Manufacturer	
<b>SAUTER</b>	
with Drive	
<b>DIN 5480</b> <b>(W 16 x 0,8 x 30 x 18 / 9b)</b>	
Dimensions	
Revolver type	Star-type Turret
Shank	VDI 30
Drive	DIN 5480 with spindle orientation detent W 16 x 0,8 x 30 x 18 / 9b Ø 15,9 mm



13

Order No.	Tool holder	Clamping range mm	Torque max.	n1/n2 (max.) (r.p.m.)	Gear Ratio	Coolant	L mm	L1 mm	L2 mm	L3 mm	L4 mm	S mm	T mm
103622*	2x ER 25	0,5-16	20 Nm	6.500 / 6.500	i = 1:1	external	119	85	34	62	62	55	70
103556**	2x ER 25	0,5-16	20 Nm	6.500 / 6.500	i = 1:1	external	134	100	34	62	62	55	70

\* with precision adjustable unit PIN Ø 8 mm

\*\* on request with precision adjustable unit

# Angle Unit, Adjustable 0-100°

Connectable in accordance with **BLUECOMPETENCE** » PolyMILL » TriMILL » PolyREAM

for Turret Manufacturer

**SAUTER**

with Drive

**DIN 5480**  
**(W 16 x 0,8 x 30 x 18 / 9b)**

Dimensions

Revolver type	Star-type Turret
Shank	VDI 30
Drive	DIN 5480 with spindle orientation detent W 16 x 0,8 x 30 x 18 / 9b Ø 15,9 mm

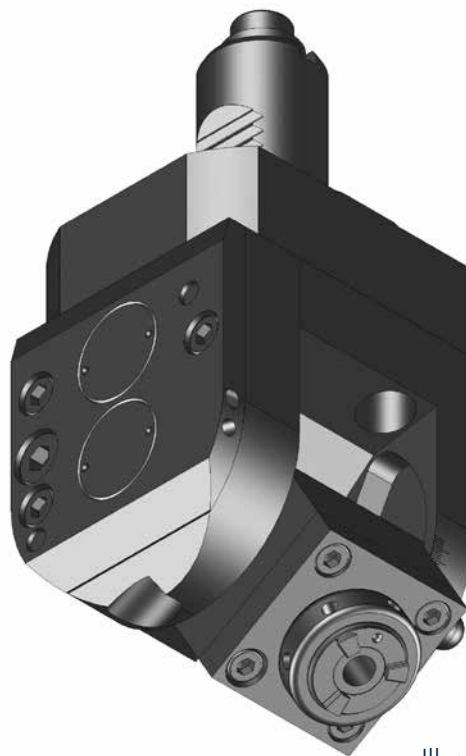
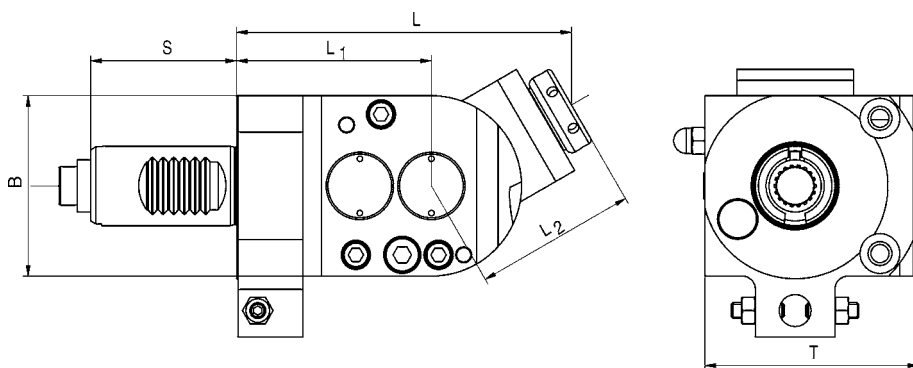


Illustration shows right version



Order No.	Tool holder	Clamping range mm	Torque max.	n1/n2 (max.) (r.p.m.)	Gear Ratio	Coolant	L mm	L1 mm	L2 mm	B mm	S mm	T mm	Rotating direction
Right version:													
103566	ER 16	0,5-10	6 Nm	6.500 / 6.500	i = 1:1	external	138	73,5	64,5	68	55	80,5	↻ ↻
Left version:													
125008	ER 16	0,5-10	6 Nm	6.500 / 6.500	i = 1:1	external	138	73,5	64,5	68	55	80,5	↻ ↻

# Saw Blade Holder

for Turret Manufacturer

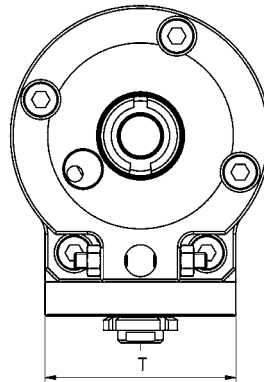
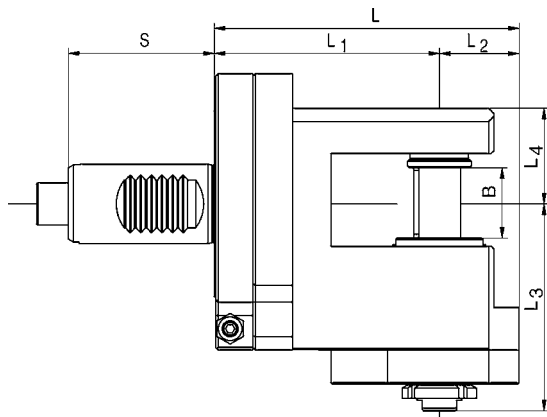
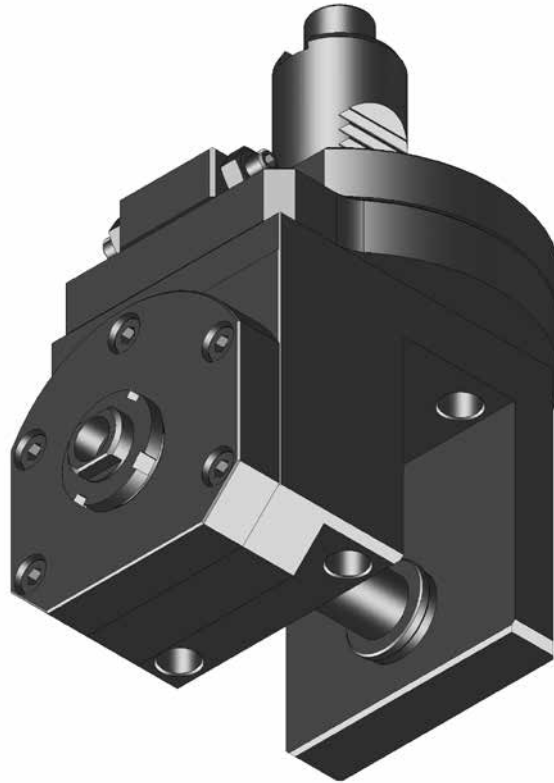
**SAUTER**

with Drive

**DIN 5480**  
**(W 16 x 0,8 x 30 x 18 / 9b)**

Dimensions

Revolver type	Star-type Turret
Shank	VDI 30
Drive	DIN 5480 with spindle orientation detent W 16x0,8x30x18 / 9b Ø 15,9 mm



Order No.	Fitting dia. mm	Torque max.	n1/n2 (max.) (r.p.m.)	Gear Ratio	Coolant	L mm	L1 mm	L2 mm	L3 mm	L4 mm	B mm	S mm	T mm
133767*	16	20 Nm	6.500 / 2.450	i = 2,66:1	external	115	85	30	78	36	25	55	104

\* Saw blade diameter max. = 80 mm



**SAUTER**

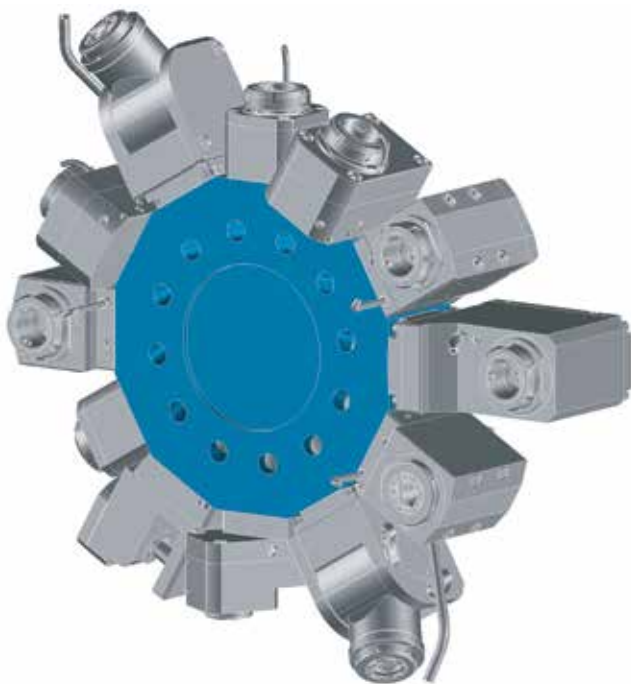
**DIN 5480 (W 20 x 0,8 x 30 x 24 / 9b)**

**Data**

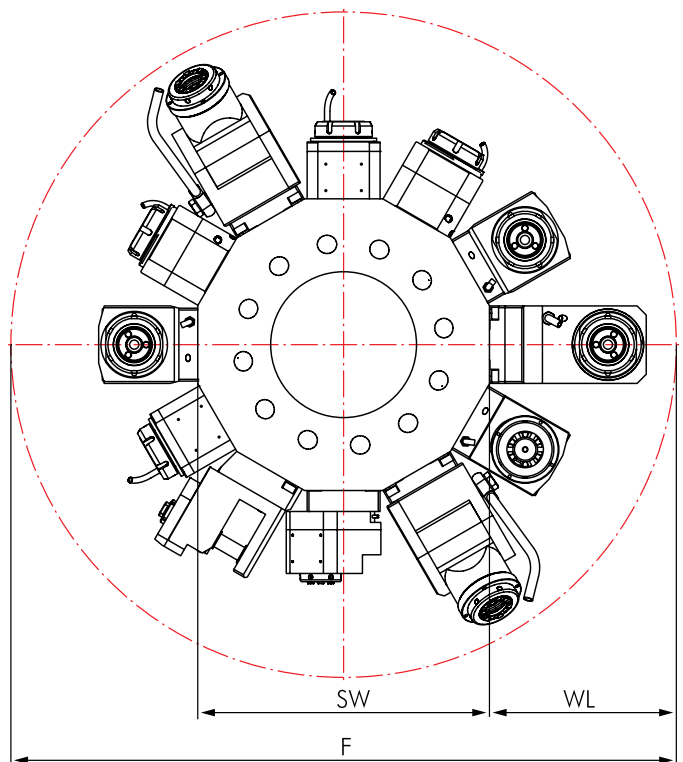
Star-type Turret	Turret Stations
Drive	DIN 5480 (W20x0,8x30x24/9b)



**Star-type Turret VDI 40**



**Interference Circles**



The interference circles are depending on your CNC machine. You can find it in your machine instruction manuals.



**DIN 5480 (W 20 x 0,8 x 30 x 24 / 9b)**

**Live Tools**

Connectible in accordance with **BLUECOMPETENCE** » mimatic mi » PolyMILL » TriMILL » TrioCut » PolyREAM

	Page		Page
<b>Straight Unit</b>	412	<b>Angle Unit, 2-Axis</b>	417
<b>Angle Unit</b>	413-414	<b>Angle Unit, adjustable 0-100°</b>	418
<b>Angle Unit, Offset Type</b>	415-416	<b>Saw Blade Holder</b>	419

**Options and Accessories**

<b>mi Toolholders</b>		mi System Description Toolholders Accessories	471 473-477 478-479
<b>Static Toolholders for SAUTER</b>		Static Toolholders Accessories	511-515 516
<b>Accessories</b>		Collets DIN 6499 Threading Collets Wrenches Clamping Nuts Sleeves and Bushings	526-527 528-529 525 525 531



**Delivery information**

Driven toolholders with mi quick-change interface are supplied with operating wrench (see spare parts on page 479).  
Driven toolholders with other interfaces are supplied without clamping wrench (see accessories on page 525).

# Straight Unit

Connectable accessories with **BLUECOMPETENCE** » mimatic mi » PolyMILL » TriMILL » TrioCut » PolyREAM

for Turret Manufacturer

**SAUTER**

with Drive

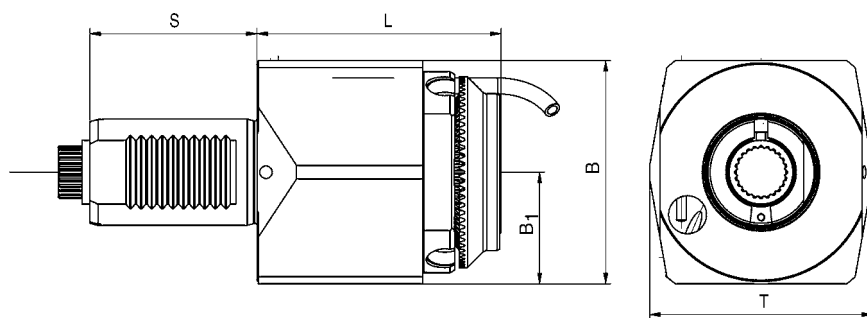
**DIN 5480**  
**(W 20 x 0,8 x 30 x 24 / 9b)**

Dimensions

Revolver type      Star-type Turret  
Shank                VDI 40  
Drive                 DIN 5480  
                          with spindle orientation  
                          detent  
                          W 20x0,8x30x24 / 9b  
                          Ø 19,84 mm

Modular Interfaces

**mimaticMi**  
**HydroFLEX**



Order No.	Tool holder	Clamping range mm	Torque max.	n1/n2 (max.) (r.p.m.)	Gear Ratio	Coolant	L mm	B mm	B1 mm	S mm	T mm	Rotating direction
133778	ER 32	1,0-20	80 Nm	6.500 / 6.500	i = 1:1	external	80	80	40	63	80	↺ ↻
133740	ER 32*	1,0-20	80 Nm	6.500 / 6.500	i = 1:1	internal	80	89	40	63	80	↺ ↻
133743	mi 50	0,5-20	80 Nm	6.500 / 6.500	i = 1:1	internal	92	84	42	63	84	↺ ↻
124161	HF 20	1,0-20	80 Nm	6.500 / 6.500	i = 1:1	internal	83	89	40	63	80	↺ ↻

# Angle Unit, Right-hand Version

Connectable in accordance with **BLUECOMPETENCE** » mimatic mi » PolyMILL » TriMILL » TrioCut » PolyREAM

for Turret Manufacturer

**SAUTER**

with Drive

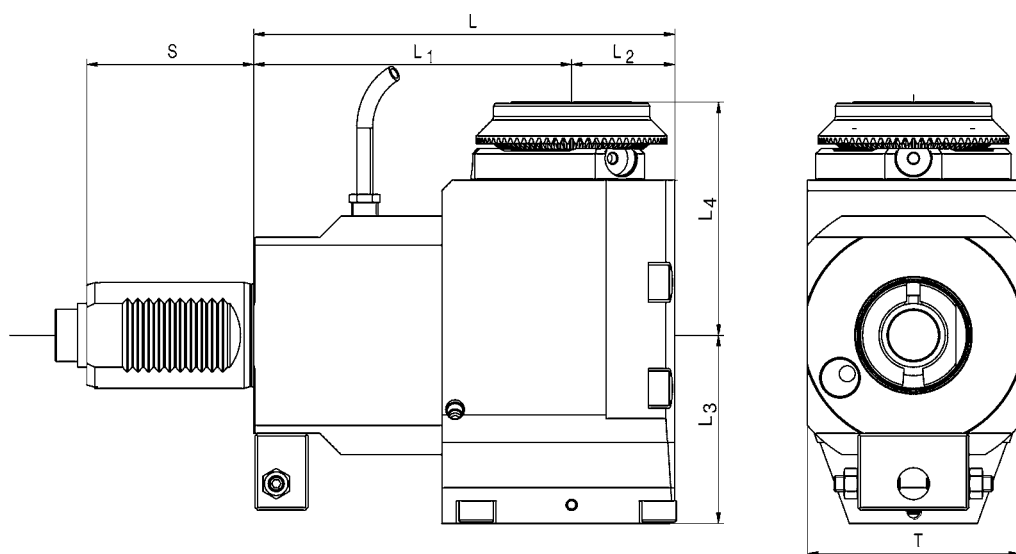
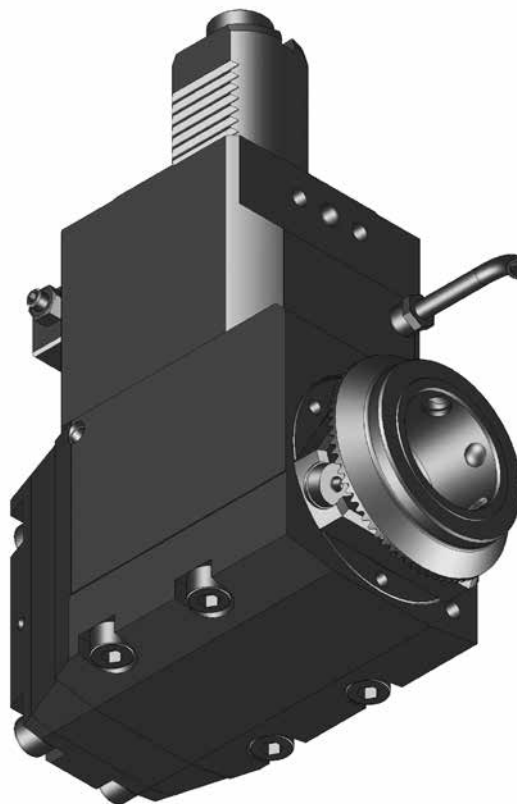
**DIN 5480**  
**(W 20 x 0,8 x 30 x 24 / 9b)**

Dimensions

Revolver type	Star-type Turret
Shank	VDI 40
Drive	DIN 5480 with spindle orientation detent W 20x0,8x30x24 / 9b Ø 19,84 mm

Modular Interfaces

**mimaticMi**  
**HydroFLEX**



13

Order No.	Tool holder	Clamping range mm	Torque max.	n1/n2 (max.) (r.p.m.)	Gear Ratio	Coolant	L mm	L1 mm	L2 mm	L3 mm	L4 mm	S mm	T mm	Rotating direction
133765**	ER 32	1,0-20	80 Nm	5.400 / 5.400	i = 1:1	external	139	100	39	69,0	70	63	85	↺ ↻
133780**	ER 32*	1,0-20	80 Nm	5.400 / 5.400	i = 1:1	internal	139	100	39	75,5	70	63	85	↺ ↻
133754**	mi 50	-	80 Nm	5.400 / 5.400	i = 1:1	internal	139	100	43	75,5	88	63	80	↺ ↻
133802	HF 20	6,0-20	20 Nm	6.500 / 13.000	i = 1:2	internal	139	100	39	72,5	92	63	85	↺ ↻
133748**	ER 32	1,0-20	80 Nm	5.400 / 5.400	i = 1:1	external	159	120	39	69,0	70	63	85	↺ ↻
133773**	ER 32*	1,0-20	80 Nm	5.400 / 5.400	i = 1:1	internal	159	120	39	75,5	70	63	85	↺ ↻
133757**	mi 50	-	80 Nm	5.400 / 5.400	i = 1:1	internal	163	120	43	75,5	88	63	80	↺ ↻
101568	ER 25*	0,5-16	20 Nm	6.000 / 12.000	i = 1:2	internal	159	120	39	72,5	75	63	85	↺ ↻

\* With clamping nuts with sealing, seals see page 530

\*\* on request with precision adjustable unit

# Angle Unit, Left-hand Version

Connectable accessories with **BLUECOMPETENCE** » mimatic mi » PolyMILL » TriMILL » TrioCut » PolyREAM

for Turret Manufacturer

**SAUTER**

with Drive

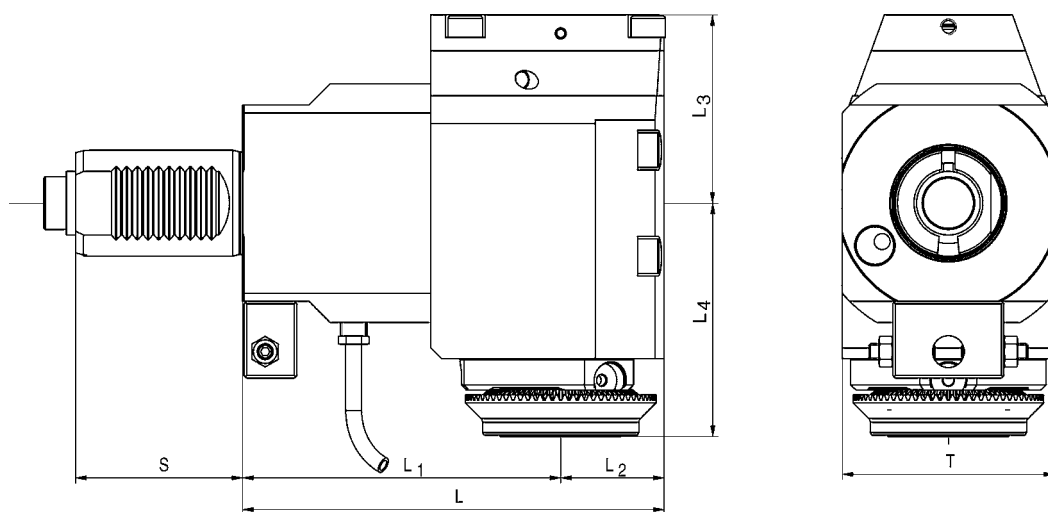
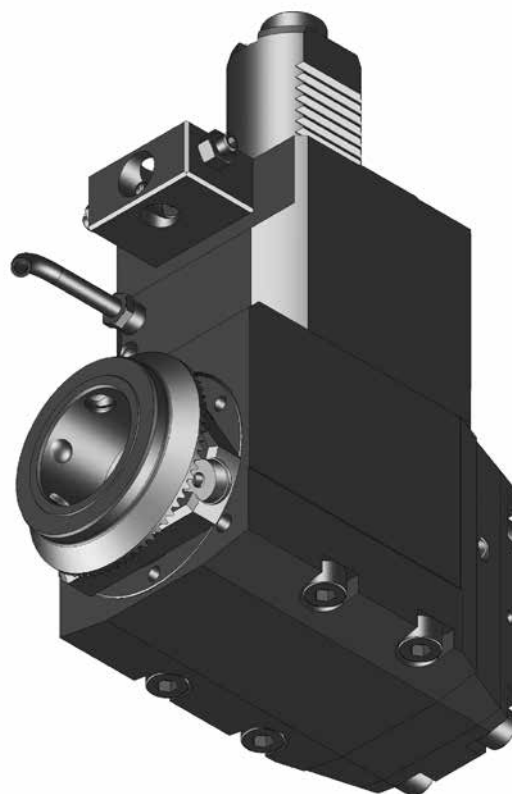
**DIN 5480**  
**(W 20 x 0,8 x 30 x 24 / 9b)**

Dimensions

Revolver type      Star-type Turret  
Shank                VDI 40  
Drive                 DIN 5480  
                          with spindle orientation  
                          detent  
                          W 20x0,8x30x24 / 9b  
                          Ø 19,84 mm

Modular Interfaces

**mimaticMi**  
**HydroFLEX**



Order No.	Tool holder	Clamping range mm	Torque max.	n1/n2 (max.) (r.p.m.)	Gear Ratio	Coolant	L mm	L1 mm	L2 mm	L3 mm	L4 mm	S mm	T mm	Rotating direction
133741**	ER 32	1,0-20	80 Nm	5.400 / 5.400	i = 1:1	external	139	100	39	69,0	70	63	85	↺ ↻
133779**	ER 32*	1,0-20	80 Nm	5.400 / 5.400	i = 1:1	internal	139	100	39	75,5	70	63	85	↺ ↻
133744**	mi 50	-	80 Nm	5.400 / 5.400	i = 1:1	internal	143	100	43	75,5	88	63	80	↺ ↻
133802**	HF 20	6,0-20	20 Nm	6.500 / 13.000	i = 1:2	internal	139	100	39	72,5	92	63	85	↺ ↻
103561**	ER 32	1,0-20	80 Nm	5.400 / 5.400	i = 1:1	external	159	120	39	69,0	70	63	85	↺ ↻
133776**	ER 32*	1,0-20	80 Nm	5.400 / 5.400	i = 1:1	internal	159	120	39	75,5	70	63	85	↺ ↻
133768**	mi 50	-	80 Nm	5.400 / 5.400	i = 1:1	internal	163	120	43	75,5	88	63	80	↺ ↻
177075**	ER 25	0,5-16	20 Nm	6.000 / 12.000	i = 1:2	internal	159	120	39	72,5	75	63	85	↺ ↻

# Angle Unit, Offset Type, Right-hand Version

Connectable in accordance with **BLUECOMPETENCE** » mimatic mi » PolyMILL » TriMILL » TrioCut » PolyREAM

for Turret Manufacturer

**SAUTER**

with Drive

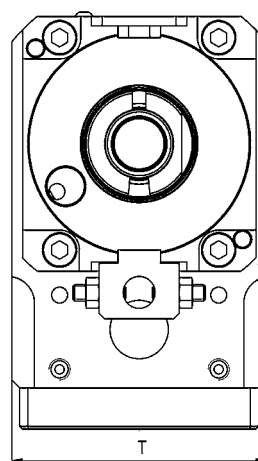
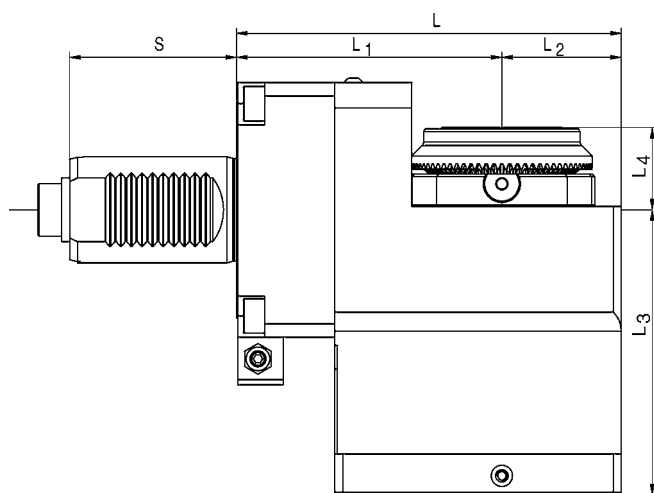
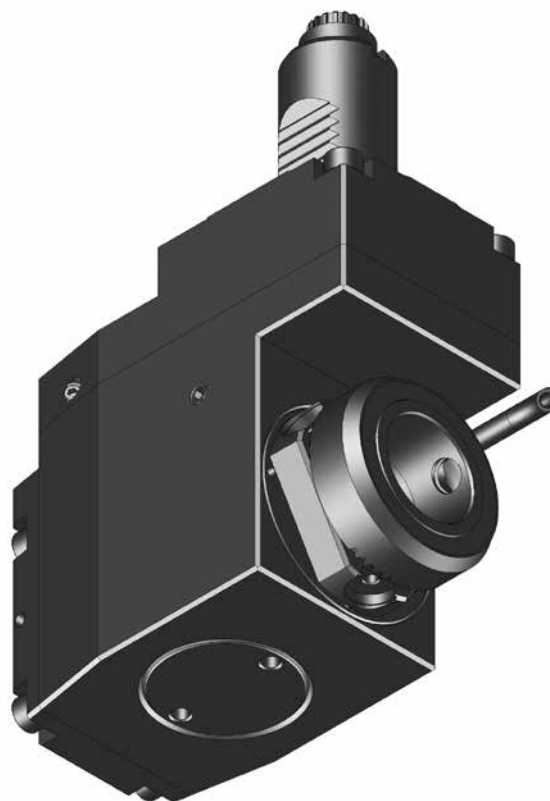
**DIN 5480**  
**(W 20 x 0,8 x 30 x 24 / 9b)**

Dimensions

Revolver type	Star-type Turret
Shank	VDI 40
Drive	DIN 5480 with spindle orientation detent W 20x0,8x30x24 / 9b Ø 19,84 mm

Modular Interfaces

**mimaticMi**



13

Order No.	Tool holder	Clamping range mm	Torque max.	n1/n2 (max.) (r.p.m.)	Gear Ratio	Coolant	L mm	L1 mm	L2 mm	L3 mm	L4 mm	S mm	T mm	Rotating direction
133759	ER 32	1,0-20	80 Nm	6.000 / 6.000	i = 1:1	external	142	100	42	111,0	20	63	85	↺ ↻
133774	ER 32*	1,0-20	80 Nm	6.000 / 6.000	i = 1:1	internal	142	100	42	111,0	20	63	85	↻ ↺
133782**	mi 50	-	80 Nm	4.000 / 4.000	i = 1:1	internal	145	100	45	107,5	31	63	96	↻ ↺
103552	ER 32	1,0-20	80 Nm	5.400 / 5.400	i = 1:1	external	162	120	42	111,0	20	63	85	↺ ↻
103540	ER 32*	1,0-20	80 Nm	5.400 / 5.400	i = 1:1	internal	162	120	42	111,0	20	63	85	↻ ↺
103553**	mi 50	-	80 Nm	4.000 / 4.000	i = 1:1	internal	165	120	45	107,5	31	63	96	↻ ↺

\* With clamping nuts with sealing, seals see page 530

\*\* on request with precision adjustable unit

# Angle Unit, Offset Type, Left-hand Version

Compatible accessories with **BLUECOMPETENCE** » mimatic mi » PolyMILL » TriMILL » TrioCut » PolyREAM

for Turret Manufacturer

**SAUTER**

with Drive

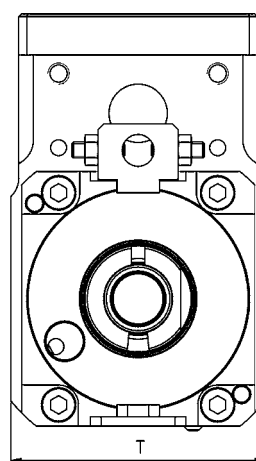
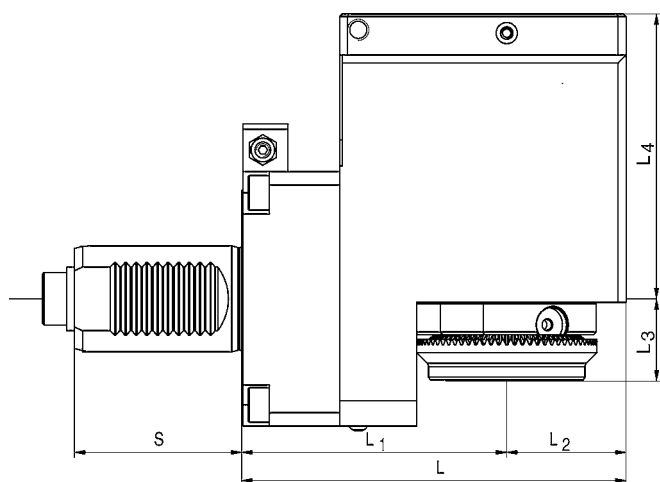
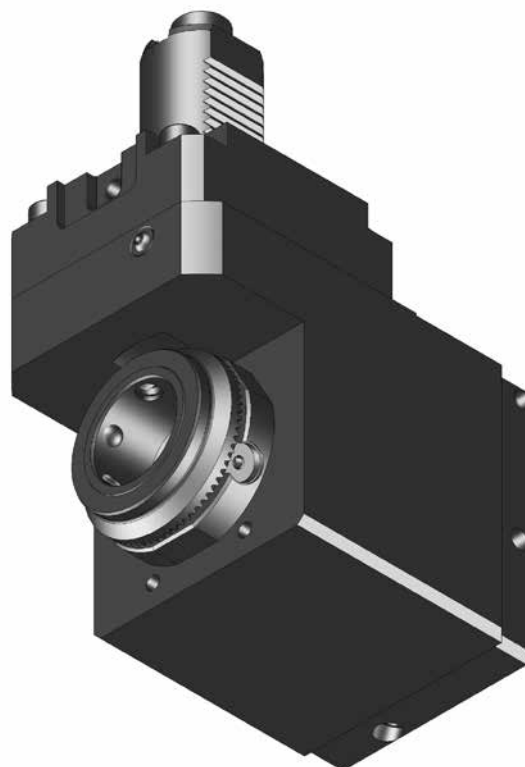
**DIN 5480**  
**(W 20 x 0,8 x 30 x 24 / 9b)**

Dimensions

Revolver type	Star-type Turret
Shank	VDI 40
Drive	DIN 5480 with spindle orientation detent W 20x0,8x30x24 / 9b Ø 19,84 mm

Modular Interfaces

**mimaticMi**



Order No.	Tool holder	Clamping range mm	Torque max.	n1/n2 (max.) (r.p.m.)	Gear Ratio	Coolant	L mm	L1 mm	L2 mm	L3 mm	L4 mm	S mm	T mm	Rotating direction
133781	ER 32	1,0-20	80 Nm	6.000 / 6.000	i = 1:1	external	142	100	42	111,0	20	63	85	↺ ↻
133758	ER 32*	1,0-20	80 Nm	6.000 / 6.000	i = 1:1	internal	142	100	42	111,0	20	63	85	↻ ↺
103572**	mi 50	-	80 Nm	4.000 / 4.000	i = 1:1	internal	145	100	45	107,5	31	63	96	↻ ↺
103567	ER 32	1,0-20	80 Nm	5.400 / 5.400	i = 1:1	external	162	120	42	111,0	20	63	85	↻ ↺
103548	ER 32*	1,0-20	80 Nm	5.400 / 5.400	i = 1:1	internal	162	120	42	111,0	20	63	85	↺ ↻
103584**	mi 50	-	80 Nm	4.000 / 4.000	i = 1:1	internal	165	120	45	107,5	31	63	96	↺ ↻

## Angle Unit, 2-Axis

Compatible accessories with **BLUECOMPETENCE** » mimatic mi » PolyMILL » TriMILL » TrioCut » PolyREAM

for Turret Manufacturer

**SAUTER**

with Drive

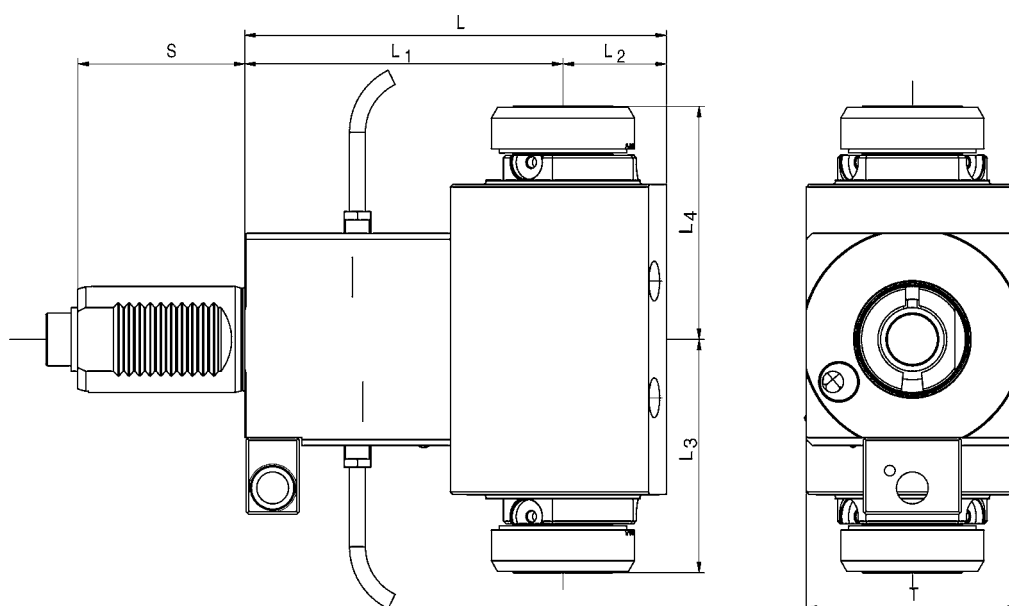
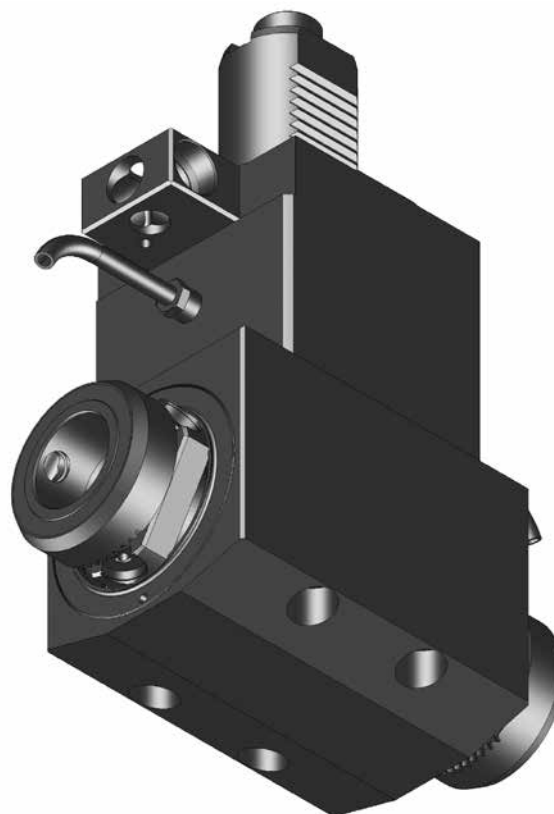
**DIN 5480**  
**(W 20 x 0,8 x 30 x 24 / 9b)**

Dimensions

Revolver type      Star-type Turret  
Shank                VDI 40  
Drive                 DIN 5480  
                          with spindle orientation  
                          detent  
                          W 20x0,8x30x24 / 9b  
                          Ø 19,84 mm

Modular Interfaces

**mimaticMi**



Order No.	Tool holder	Clamping range mm	Torque max.	n1/n2 (max.) (r.p.m.)	Gear Ratio	Coolant	L mm	L1 mm	L2 mm	L3 mm	L4 mm	S mm	T mm
103585*	2x ER 25	0,5-16	20 Nm	6.500 / 6.500	i = 1:1	external	154	120	39	62	62	63	70
103593*	2x mi 40	-	50 Nm	6.500 / 6.500	i = 1:1	external	154	120	39	88	88	63	70

\* with precision adjustable unit PIN Ø 8 mm



# Angle Unit, Adjustable 0-100°

Connectable in accordance with **BLUECOMPETENCE** » PolyMILL » TriMILL » PolyREAM

for Turret Manufacturer	
<b>SAUTER</b>	
with Drive	
<b>DIN 5480</b> <b>(W 20 x 0,8 x 30 x 24 / 9b)</b>	
Dimensions	
Revolver type	Star-type Turret
Shank	VDI 40
Drive	DIN 5480 with spindle orientation detent W 20x0,8x30x24 / 9b Ø 19,84 mm

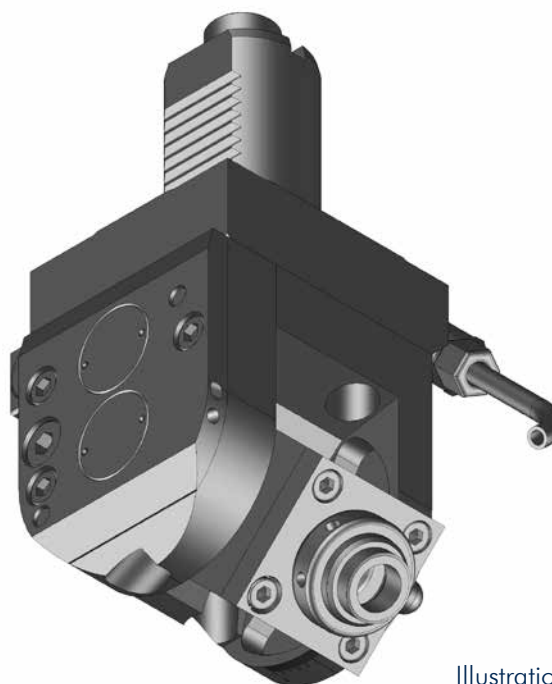
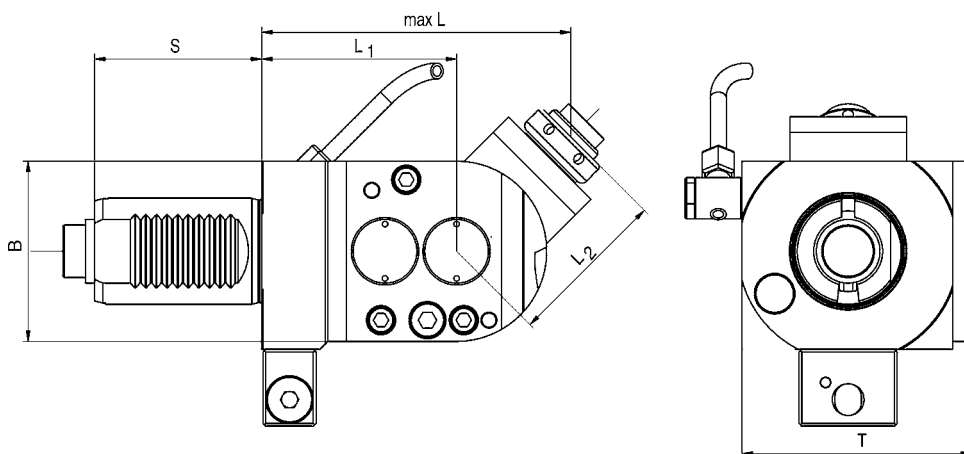


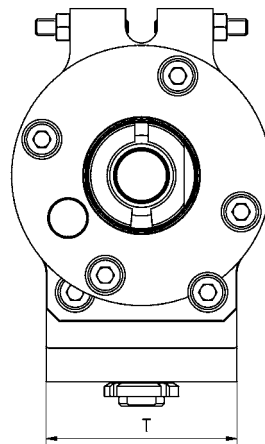
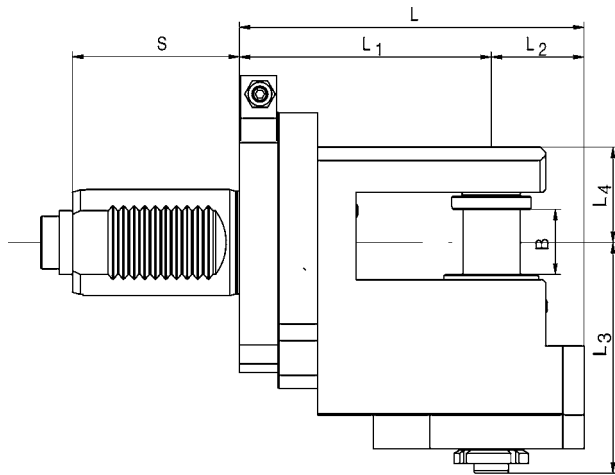
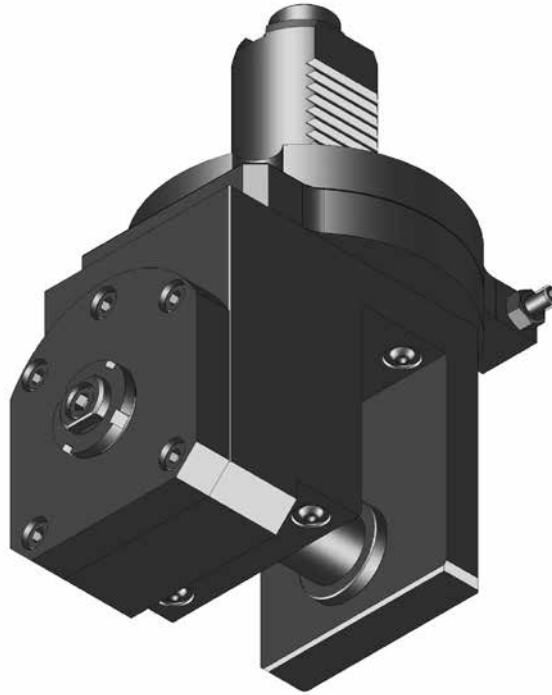
Illustration show right version



Order No.	Tool holder	Clamping range mm	Torque max.	n1/n2 (max.) (r.p.m.)	Gear Ratio	Coolant	L mm	L1 mm	L2 mm	B mm	S mm	T mm	Rotating direction
103541**	ER 16	0,5-10	6 Nm	6.500 / 6.500	i = 1:1	external	134,5	73,5	61	68	63	80,5	↺ ↻
125010	ER 25	1,0-16	35 Nm	6.000 / 6.000	i = 1:1	external	178,0	88,0	93	102	63	96,0	↺ ↻

# Saw Blade Holder

for Turret Manufacturer	
<b>SAUTER</b>	
with Drive	
<b>DIN 5480</b> <b>(W 20 x 0,8 x 30 x 24 / 9b)</b>	
Dimensions	
Revolver type	Star-type Turret
Shank	VDI 40
Drive	DIN 5480 with spindle orientation detent W 20x0,8x30x24 / 9b Ø 19,84 mm



Order No.	Fitting dia. mm	Torque max.	n1/n2 (max.) (r.p.m.)	Gear Ratio	Coolant	L mm	L1 mm	L2 mm	L3 mm	L4 mm	B mm	S mm	T mm
133749*	22	40 Nm	6.500 / 2.450	i = 2,66:1	external	130	95	35	87,5	36	25	63	72

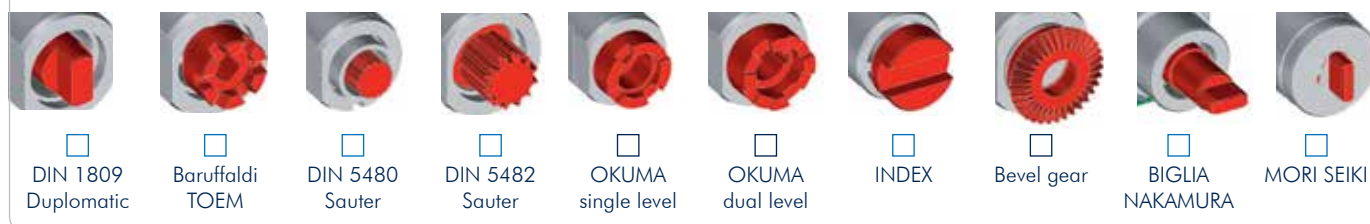
\* Saw blade diameter max. = 100 mm

**Form for Inquiry, Part 1**  
**Fax +49-831-57444-90**

Company	
Name	
Street	
Zip/City	
Phone	
Fax	
E-Mail	

**Specifications to the Machine**

Manufacturer		
Type, Year of manufacturing		
Machine No.		
Coolant		
Coolant pressure (internal coolant)		
Spindle speed max.		r.p.m
max. torque of the spindle		Nm
Turret manufacturer	Typ. No.	
Turret Revolver type	Disc-type Turret	Star-type Turret
Number of slots		
max. swinging circle		mm
Operation	Main spindle	Sub spindle
Revolver drive	please mark with a cross:	



**Specifications to the Operation**

Operation		
(drilling, milling, turning, etc.)		
Material		
Tool		
Tool diameter		mm
Work piece drawing	yes (please transmit)	no

**Specifications to the Tool**














Shank size VDI		mm
Others		
Gear ratio		i=
Spindle speed wanted		r.p.m
Torque moment wanted		Nm
Coolant	yes	no
max. coolant pressure through the spindle (internal)		
Coolant nozzle		
Coolant pipe		
Notice		

**Form for Inquiry, Part 2**  
**Fax +49-831-57444-90**

**Specifications to the Tool**





Type

please notice your required number of pieces:

						
<input type="checkbox"/>	<input type="checkbox"/>	<input type="checkbox"/>	<input type="checkbox"/>	<input type="checkbox"/>	<input type="checkbox"/>	
Straight, central	Straight, Offset Type (A= mm)	Angle, central	Angle, Offset Type (A= mm)	Multi spindle unit Straight, central	Multi spindle unit Straight, Offset Type (A= mm)	
						
<input type="checkbox"/>	<input type="checkbox"/>	<input type="checkbox"/>	<input type="checkbox"/>	<input type="checkbox"/>	<input type="checkbox"/>	
Multi spindle unit angle, central	Multi spindle unit angle, Offset Type (A= mm)	Y-Unit adjustable	Angle Unit adjustable	Special angle fixed ( °)	Saw blade holder, straight	Saw blade holder, angle

Toolholder

please mark with a cross:

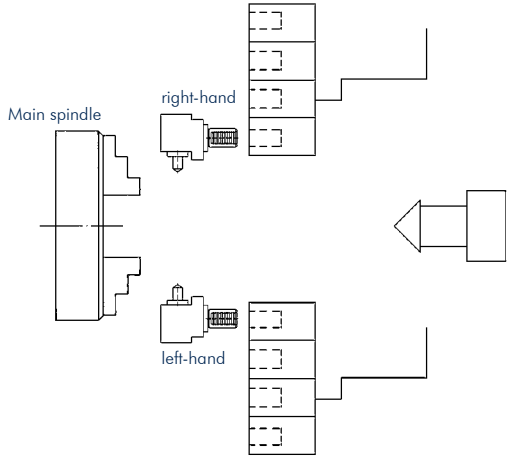
											
<input type="checkbox"/>	<input type="checkbox"/>	<input type="checkbox"/>	<input type="checkbox"/>	<input type="checkbox"/>	<input type="checkbox"/>	<input type="checkbox"/>	<input type="checkbox"/>	<input type="checkbox"/>	<input type="checkbox"/>	<input type="checkbox"/>	<input type="checkbox"/>
mi Quick change tool system	SYNAX Tapping quick change system	Hydro-Flex Hydraulic clamping system	Collet ER DIN 6499	Weldon/ Whistle- Notch	Komet ABS	Coromant CAPTO	Shell mill holders	KM / UTS	HSK	SK	Saw blade

Tool type

right

left

**Disc-type Turret**



**Star-type Turret**

